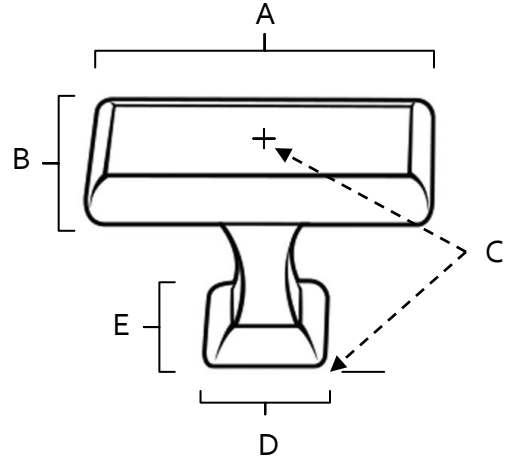


SPECIFICATIONS

MANHATTAN
RECTANGULAR KNOB



FEATURES

Modern styling
Multiple finishes
Concealed installation

WARRANTY

Limited lifetime

FINISHES

Polished Chrome (PC)
Bronze (BRZ)
Polished Nickel (PN)
Satin Nickel (SN)
Satin Brass (SB)

MATERIAL

Brass

| Item# | A | B | C | D | E |
|---------|--------|------|--------|-------|-------|
| A310-58 | 1 5/8" | 3/4" | 1 1/8" | 9/16" | 9/16" |

KEY:

A - Length
B - Width
C - Projection
D - Mount Length
E - Mount Width

NOTE: Dimensions and specifications are subject to change without notice.