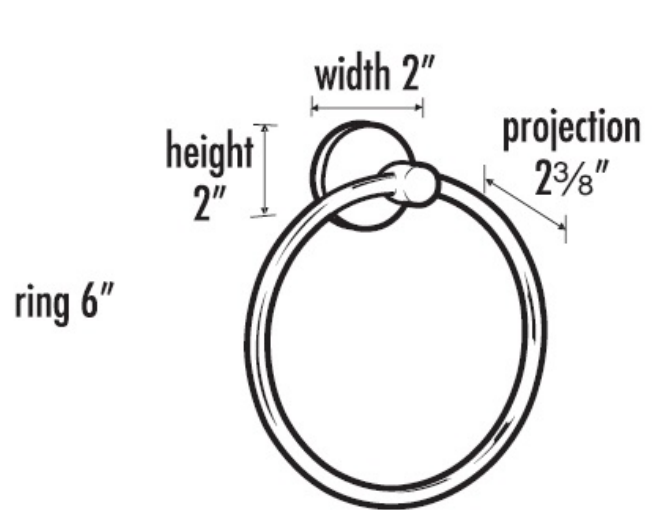


SPECIFICATIONS

**CONTEMPORARY I**  
6" TOWEL RING



**FEATURES**

Modern styling  
Multiple finishes  
Concealed installation

**WARRANTY**

Limited lifetime

**FINISHES**

Polished Brass/Non-lacquered (PB/NL)  
Polished Chrome (PC)  
Bronze (BRZ)  
Matte Black (MB)  
Polished Nickel (PN)  
Satin Brass (SB)  
Satin Nickel (SN)

**MATERIAL**

Brass

Item#

A8340

NOTE: Dimensions and specifications are subject to change without notice.

T 818.882.6028 F 818.700.1540 [www.alnoinc.com](http://www.alnoinc.com)