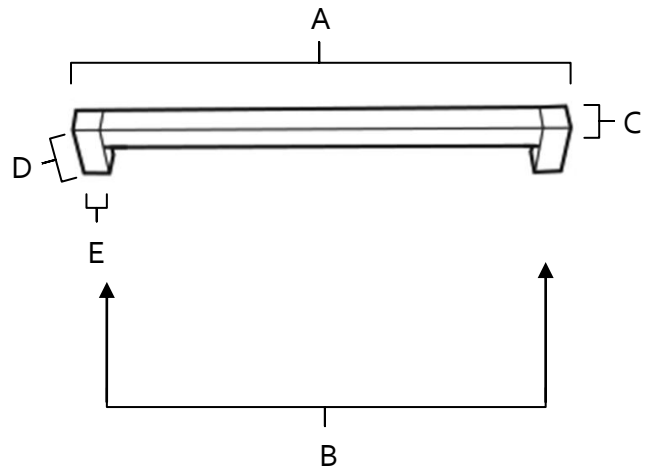


**SPECIFICATIONS**

**BLOCK**  
APPLIANCE PULLS



**FEATURES**

- Modern styling
- Multiple finishes
- Concealed installation

**WARRANTY**

Limited lifetime

**FINISHES**

- Bronze (BRZ)
- Matte Black (MB)
- Polished Chrome (PC)
- Polished Nickel (PN)
- Satin Nickel (SN)

**MATERIAL**

Brass

Item#	A	B	C	D	E
D420-8	8 5/8"	8"	5/8"	1 1/2"	5/8"
D420-12	12 5/8"	12"	5/8"	1 3/4"	5/8"
D420-18	18 5/8"	18"	5/8"	1 3/4"	5/8"

**KEY:**

- A - Overall Length
- B - Center to Center
- C - Handle Width
- D - Projection
- E - Mount Length

NOTE: Dimensions and specifications are subject to change without notice.