

**LUXURY 18 GAUGE STAINLESS STEEL KITCHEN SINK 32"**

**Undermount 10mm radius coved corners**

- 791565-202070A Stainless steel bottom grid included
- 791565-207070A Stainless steel bottom grid included
- 18-10 Chrome Nickel content
- Large bowl/small bowl combination sink
- Installation hardware, template and instructions included
- **Waste fittings included**
- **33" cabinet required**



**Nominal Dimensions:**

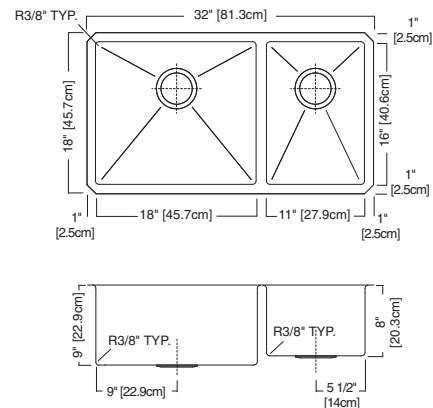
32" x 18" x 9"

**Bowl Size:**

18" wide  
16" front to back  
9" deep

**Small Bowl Size:**



11" wide  
16" front to back  
8" deep



**Compliance Certifications:**

**IMPORTANT:** Dimensions of fixtures are nominal and may vary within the range of tolerances established by ASME A112.19.3. These measurements are subject to change or cancellation. No responsibility is assumed for use of superseded or voided leaflet.

**To Be Specified:**

- 8241.121500.075  Stainless steel drainer basket
- 8443.101500.075  Stainless steel mesh colander