



*American Standard*

## Enameled Cast Iron Kitchen and Bar Sinks

### Installation and Maintenance Instructions

**IMPORTANT NOTE:** These instructions supersede any installation instructions printed on the product carton packaging.

**CAUTION:** You should inspect all products for any defects prior to installation. Once you have inspected the sink, return it to its protective carton until you are ready to install it.

Read all instructions carefully before starting the installation.

#### BEFORE YOU BEGIN

If you are installing your sink in a new or remodeled kitchen, you should make sure that you are in compliance with all local plumbing codes. Rough-in information is available at [www.americanstandard-us.com](http://www.americanstandard-us.com) or by contacting American Standard at 1-800-442-1902. Rough-In information will be helpful in placing the sink, water supply piping, shut-off valves, and drains in their proper positions.

#### HANDLE WITH CARE

Your new sink has an attractive high gloss, durable enamel finish. It may also be very heavy, possibly requiring two people to lift it. To protect the finish and avoid possible damage before and after installation, please handle your sink with care. Place the sink on a thick bed of newspapers when working on it before installation. Also, line the inside of your sink with newspapers until the job is done.

#### THE TEMPLATE

The template is intended to be used as a guide only! If a paper template is not included with your sink, refer to the sink cut-out chart in these instructions. American Standard does not guarantee or in any way warrant installation due to the wide variance of installation practices and other conditions beyond our control.

## TOOLS AND MATERIALS

You can determine which tools and materials are necessary by reading the complete installation instructions and examining the job you have to do. These are normally needed:

- scissors/utility knife
- sponge
- basin or pail
- basin wrench
- tape measure
- adjustable wrench (10")
- flat blade screwdriver
- emery cloth
- hacksaw
- hammer
- saber saw or keyhole saw
- drill
- adhesive sealant with rust inhibitor
- cardboard, newspapers or a dropcloth
- tube cutter
- pipe wrench (12")
- plumber's putty
- metal basket strainer (double bowl sinks require two)

The materials listed below are optional. They are only necessary if existing materials are unusable:

- Two shut-off valves with 1/2" I.P.S. outlet, optional (check house piping to determine valve inlet dimension)
- 1/2" I.P.S. hot and cold water supply tubes with compression nut and ferrule
- Drain tail pipe (two for double bowl sinks), trap and additional drain pipe as required

## REMOVING OLD SINK

1. Turn off the water supply. This is done by closing the two shut-off valves located under the sink.

If there are no shut-off valves leading to the sink, you must turn off the water at the main valve.

Check to be sure the water is off by turning on the faucet where you are working until the water stops flowing.

If you have shut off the main valve in a two-story house or greater, you should open another faucet on the same level. Water will then drain from the entire line. This will help avoid spills. Be sure and close the faucets before you turn on the main valve again.

2. Disconnect the drain pipes. Place a basin under the work area to catch any water that may still be in the drain.

3. Before removing anything else, check to see how the sink is supported. If the pipes in the wall are providing support for the sink, use care in removing the faucet connections. The sink may fall once the faucet is disconnected, so have a helper hold it up while you work.

Detach the faucet from the shut-off valves by unscrewing the compression nut at the joints between the valves and the water supply tubes.

If the connection is corroded, you may need to cut off the nut with a hacksaw. If there is no nut or shut-off valve, use a tube cutter or hacksaw to separate the faucet from the water supply tubes. Keep the basin and sponge handy for water that remains in the pipe and faucet.

## INSTALLING YOUR NEW SINK

Note: Some installation steps will be used twice for double bowl sinks.

4. Once you have completed your countertop and determined the general location of your new kitchen sink, you are ready to cut the opening into which it will be placed.

5. A paper template (included with undermount and Ceramica sinks) can help you cut an accurate opening. Cut the template outline and place the template on the countertop.

6. Normally you will want your sink to be centered between the front edge of the counter and the backsplash. If your counter is more than 24" front to back, you may place the sink 2" to 3" from the counter edge. The minimum distance from the sink to the front of the counter should be 1 1/2". Be sure to take the sink rim into account when making your measurements.

7. Drill a hole inside the template line. The hole should be large enough to take the blade of a key hole or saber saw. Carefully saw along the line. See

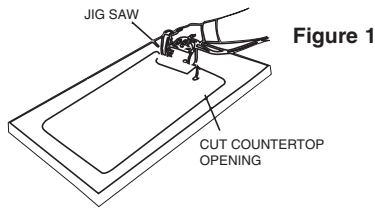
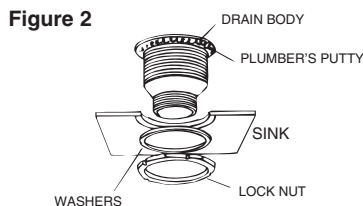


Figure 1. Support the piece you are cutting out to prevent splitting when the cut is nearly complete.

8. It is best to mount the basket strainer and faucet before installing your sink. Install the basket strainer first. Clean around the drain hole with a damp cloth to remove any dust or other particles that may interfere with a good seal. Remove the washers and nuts from the basket strainer. Pack the underside of the basket with Plumbers Putty and push it firmly in place. Put the large rubber washer over the basket treads from under the sink, followed by the thin washer (may be made of paper, fiber, or metal). Screw the large metal lock nut tightly against the washers. See Figure 2.



The excess putty that oozes out of the joint should be cleaned off immediately with a soft cloth.

Next, attach the faucet according to the manufacturer's instructions. When the faucet is securely in place, attach the new hot and cold water supply tubes to the faucet tubes.

9. Clean the countertop surface around the cut-out area with a damp cloth. Apply a continuous bead of sealant to the surface around the cut-out opening.

10. Carefully place the sink into the opening. A helper may be necessary to lift it into position. Align the sink in the opening, then push downward at intervals all around the edge. This will cause some of the sealant to ooze

out. Wipe off the excess immediately with a damp cloth. It will be difficult to remove if allowed to dry.

11. Connect the drain tailpiece to the bottom of the basket strainer, then fasten the trap and drain extension to the wall stub-out in the wall.

12. Use a tube cutter to trim the free ends of the hot and cold supply tubes to at least 1/4" longer than necessary to reach into the outlets of the shut-off valves. It is better to cut the tubes longer than needed, then trim them again. Remove any burrs or sharp edges with an emery cloth. Join the hot and cold water supplies to the shut-off valves as instructed by the faucet manufacturer.

13. Turn on the main water supply then open the shut-off valves. Check all connections for leaks. A slight tightening of about 1/4 turn will normally stop any leaks.

## TILE-IN INSTALLATION OF AMERICAN STANDARD CERAMICA SINKS

**CAUTION:** It is essential that construction materials are selected carefully. **TILE**

We recommend 3/8" thick tile. Provide a sample of the tile selected to your carpenter, plumber, and tile contractor. Communication between these contractors is very important in achieving a proper installation.

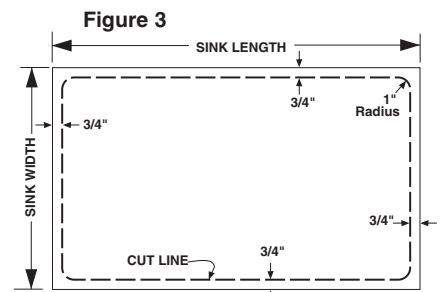
### UNDERLAYMENT

We recommend an underlayment of water-resistant tile backer board over a 3/4" (minimum thickness) exterior grade plywood. **DO NOT USE** flakeboard, interior grade plywood, or other materials that are not water resistant.

### SINK INSTALLATION

**Note:** Do not attempt to tile the countertop before setting the sink in place. Once the sink is set, adjustments can be made, if required, to compensate for variations in sink or tile dimensions.

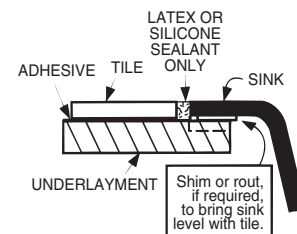
Determine the location of the sink and reference the appropriate rough-in information for your specific model. Lay out your cutout using the illustra-



tion in Figure 3 as a guide.

Once the cutout is made, set the sink in place.

**Important Note:** Once the sink is set in place, use a tile sample to determine if it will be necessary to shim the sink or rout the underlayment for a smooth transition to the file. Remember that the tile adhesive will raise the tile slightly. The sink is designed so that when installed it should sit flush with or slightly below the surface of the tile.



**Do not use grout between the tile and sink. Use latex or silicone sealant only.**

### SETTING THE TILE

If at all possible, lay out the tile so that there will be a minimum of cut edges adjoining the sink. Cut edges often are sharp and do not make the smoothest, most attractive transition. This is especially true if the sink is slightly lower than the tile. If cut edges must adjoin the sink, make sure that the sharp edges have been smoothed.

The joint between the sink and tiles should be filled with a latex or silicone sealant, rather than grout. Grout can be cracked by vibrations from a disposal. It can also absorb moisture and cause rust.

## UNDERMOUNT INSTALLATION

**Important:** Due to the wide variance in installation practices and other conditions beyond the manufacturer's

control, the installer maintains ultimate responsibility for installing the sink safely. **The structure built to support the sink must be able to support a minimum of 350 pounds.** There are many ways to install an undermount sink, and the details of installation will depend on the quality of your cabinets and countertop. These instructions describe only one way of installing an undermount sink. These instructions assume that you are working with a base cabinet with no sink or countertop currently installed. The countertop you are going to install will also need to have holes cut to accommodate the sink and faucet.

**1.** Determine the centerline of the sink position and alignment with cabinet and countertop. A template is provided for locating the sink bowls and faucet holes.

**2.** Attach two support boards to the sides of the cabinet, one in front and one in back, placing them 20-1/2" apart and equal distances from the centerline (see Figure 4-A below). Place the boards at the proper height to allow the top of the sink to be flush with the top of the cabinet. It may be necessary for you to reinforce the sides of the cabinet to support the 350-pound minimum.

**3.** Rest your sink on the support boards and slide it from side to side until it is centered. At this point, you can also check the sink cutout measurements of your countertop.

**4.** Now that you have the sink in position, attach two more 20-1/2" boards between the support boards (See Figure 4-B.)

**5.** Shim the sink to bring it to the proper height.

**6.** Install the countertop. Put a seal of caulk between the sink and countertop to prevent water leaks.

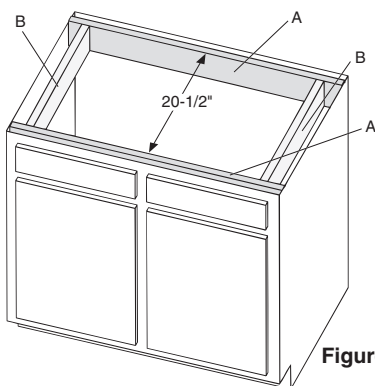


Figure 4

**7.** Install the basket strainer (see step #8 on previous page).

**8.** Installer must determine the best way to drill holes in the countertop, ensuring proper alignment with the sink without damaging the finished countertop surface.

**9.** Install the faucet according to the faucet installation instructions, inserting the faucet through the faucet holes in the sink and countertop. If the sink has faucet holes, they are enlarged to allow the faucet to be raised through the countertop. When the faucet is securely in place, attach the new hot and cold water supply tubes to the faucet tubes.

**10.** Connect the drain and water supplies as described in steps 11-13 of the previous page.

### CARE & CLEANING TIPS ON AMERICAN STANDARD ENAMELED CAST IRON PRODUCTS

American Standard brand cast iron is extremely durable, although care must be taken when handling and cleaning. For example, dropping a cast iron sink several inches from a cement floor can result in damage which will fracture the enamel surface. This damage usually manifests itself in the form of chips, shatters, or spiderweb cracks known as "crazing."

The first action to maintain the surface and appearance of any cast iron fixture is to thoroughly rinse with plenty of water and dry the fixture after each use. Hard or soft water deposits may be a problem if left to accumulate and crystallize. A buildup of these minerals may make the surface of the fixture appear dull. We recommend common household cleansers, a soft cloth or nylon pad, and a light scouring to remove mineral deposits. Rinse thoroughly with plenty of water and dry when complete.

Blemishes such as stains or surface specks may be removed with common household cleansers such as AJAX® and COMET®. Before using any household cleaner, read (and then follow) the instructions printed by the cleaner manufacturer. Cleansers containing oxalic acid such as ZUD® and BARKEEPERS FRIEND® can be used occasionally when the label instructions are read and followed.

**IMPORTANT! Use of cleaners containing Hydrofluoric Acid will destroy the surface of the fixture and will void the warranty. Use of cleaners containing Sodium Hypochlorite and bleach should not be used, because over time these cleaners will etch the surface of enameled cast iron products. Use of cleaners containing these chemicals will void the warranty.**

To remove silver-wire or aluminum marks left from pots and pans, cans that contained food or beverages, or other marks from metal, we recommend a sprinkling of cleanser and a few drops of water be applied to the surface to make a paste. Leave the paste undisturbed for no longer than ONE minute, then scrub lightly with a soft cloth. The treatment may need to be reapplied. Rinse thoroughly with plenty of water and dry when complete.

Sink Name	Model #s	Counter Cut Out
Risotto	212-4104	31-1/2" x 20-1/2" with 1" radius corners
Dumount	212-1089	31" x 20" with 1" radius corners
Unimount	212-1084	23" x 20" with 1" radius corners
Salerno	212-1403	14" x 18" with 1" radius corners

### SAVE THESE INSTRUCTIONS FOR FUTURE REFERENCE.

#### AS AMERICA, INC. LIMITED LIFETIME WARRANTY FOR CAST IRON KITCHEN SINKS

If an AS America, Inc. ("American Standard") cast iron kitchen sink is found to be defective in materials or workmanship, after inspection by an authorized American Standard representative, American Standard will repair or, at its option, exchange the product for a similar model. This limited warranty is applicable, so long as it remains in use in its original place of installation, except that the limited warranty applies to a bathing vessel's textured bottom surface only for the first year after the product's initial installation.

This limited warranty applies only to the original purchaser and installation of these products. In the event of a limited warranty claim, proof of purchase will be required—save sales receipt.

This limited warranty does not apply to commercial installations. The warranty for commercial installations is three (3) years.

This limited warranty does not apply to local building code compliance. Since local building codes vary considerably, the purchaser of this product should check with a local building or plumbing contractor to assure local code compliance before installation.

This limited warranty is void if the cast iron kitchen sink has been moved from its initial place of installation; if it has been subjected to faulty maintenance, abuse, misuse, accident or other damage; if it was not installed in accordance with American Standard's instructions; or if it was modified in a manner inconsistent with the product as shipped by American Standard.

American Standard's option to repair or exchange the product under this limited warranty does not cover any labor or other costs of removal or installation. **IN NO EVENT WILL AMERICAN STANDARD BE LIABLE FOR THE COST OF REPAIR OR REPLACEMENT OF ANY INSTALLATION MATERIALS, INCLUDING BUT NOT LIMITED TO, TILES, MARBLE ETC.** American Standard will not be responsible for any other incidental or consequential damages attributable to a product defect or to the repair or exchange of a defective product, all of which are expressly excluded from this limited warranty. This limited warranty does not cover any liability for consequential or incidental damages, all of which are hereby expressly disclaimed, or the extension beyond the duration of this limited warranty of any implied limited warranties, including those of merchantability or fitness for an intended purpose. (Some states or provinces do not allow the exclusion or limitation of implied limited warranties, so this exclusion may not apply to you.)

This limited warranty gives you specific legal rights. You may have other statutory rights that vary from state to state or from province to province, in which case this limited warranty does not affect such statutory rights.

#### In the United States:

AS America, Inc.  
P.O. Box 6820

Piscataway, New Jersey 08855

Attention: Director of Consumer Affairs  
For residents of the United States, warranty information may also be obtained by calling the following toll free number: (800) 442-1902  
www.ejjer.com

#### In Canada:

AS Canada, ULC  
2480 Stanfield Rd.  
Mississauga, Ontario  
Canada L4Y 1S2  
Toll Free: (800) 387-0369  
www.ejjer.com

#### In Mexico:

Customer Service Manager  
AS Maquila Mexico S. de R.L. de C.V.  
Via Morelos #330  
Col. Santa Clara  
Ecatepec 55540 Edo. Mexico  
www.ejjer.com