

**DOUBLE BOWL KITCHEN SINK (shown)**

- 7144.803 3-Hole
- 7144.804 4-Hole
- 7144.805 5-Hole

**Product Features:**

- Acid-resisting enameled steel
- Double bowl design
- Self-rimming installation
- Available in 3, 4 or 5 faucet hole configurations
- Silicone sealant supplied

Nominal Dimensions: 838 x 559 x 184mm  
(33" x 22" x 7-1/4")

**Bowl sizes:**

359mm (14-1/8") wide, 413mm (16-1/4") front to back, 178mm (7") deep

**Compliance Certifications -**

**Meets or Exceeds the Following Specifications:**

- ASME A112.19.4M for Enameled Steel Plumbing Fixtures



**SINGLE BOWL KITCHEN SINK**

- 7143.803 3-Hole
- 7143.804 4-Hole

**Product Features:**

- Acid-resisting enameled steel
- Single bowl design
- Self-rimming installation
- Available in 3 or 4 faucet hole configurations
- Silicone sealant supplied

Nominal Dimensions: 635 x 559 x 184mm  
(25" x 22" x 7-1/4")

**Bowl sizes:**

552mm (21-3/4") wide, 413mm (16-1/4") front to back, 178mm (7") deep

**Compliance Certifications -**

**Meets or Exceeds the Following Specifications:**

- ASME A112.19.4M for Enameled Steel Plumbing Fixtures

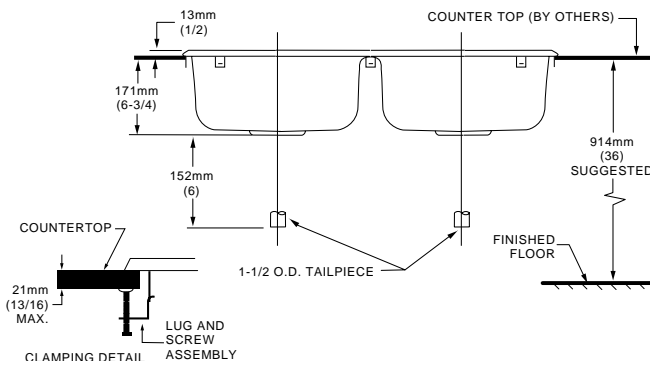
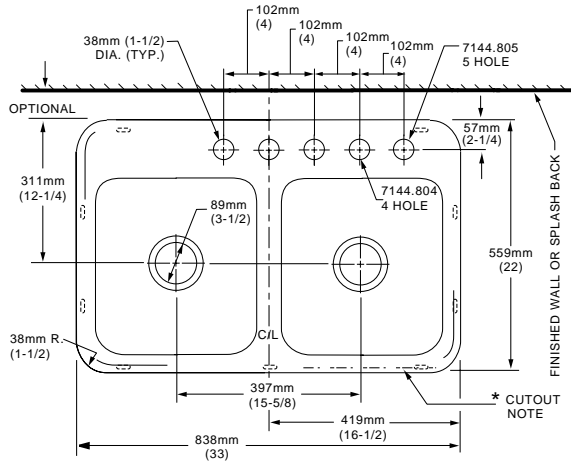
To Be Specified

- Color: (specify White Heat, Bone, or Bisque)
- Faucet\*: (specify finish)
- Basket Strainer: 4331.013 (Chrome only)
- Soap Dispenser\*: 4503.115 (specify color)
- Trap:

\* See faucet section for additional models available

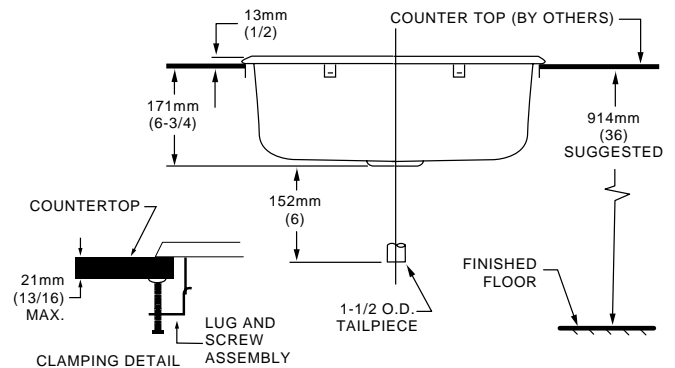
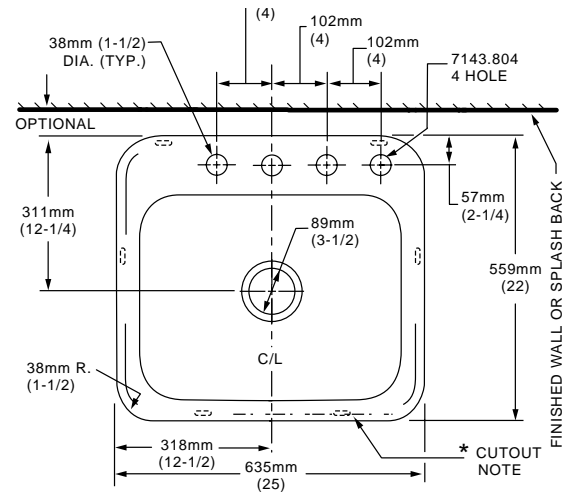
**ROUGHING-IN DIMENSIONS SHOWN ON REVERSE SIDE OF PAGE**

7144.803/804/805



**NOTES:**  
COUNTERTOP CUTOUT 800 x 521mm WITH 19mm RADIUS (31-1/2" x 20-1/2" WITH 3/4" RADIUS) AT CORNERS.  
PROVIDE SUITABLE REINFORCEMENT FOR WALL AND COUNTERTOP SUPPORTS.  
STRAINERS NOT INCLUDED AND MUST BE ORDERED SEPARATELY.  
**Important:** Dimensions of fixtures are nominal and may vary within the range of tolerances established by ANSI Standard A112.19.4  
These measurements are subject to change or cancellation. No responsibility is assumed for use of superseded or voided pages.

7143.803/804



**NOTES:**  
COUNTERTOP CUTOUT 597 x 521mm WITH 19mm RADIUS (23-1/2" x 20-1/2" WITH 3/4" RADIUS) AT CORNERS.  
PROVIDE SUITABLE REINFORCEMENT FOR WALL AND COUNTERTOP SUPPORTS.  
STRAINERS NOT INCLUDED AND MUST BE ORDERED SEPARATELY.  
**Important:** Dimensions of fixtures are nominal and may vary within the range of tolerances established by ANSI Standard A112.19.4  
These measurements are subject to change or cancellation. No responsibility is assumed for use of superseded or voided pages.