

FEATURED MODELS

500-340-BR	P.V.D. Brass Finish, 5-1/2" bowl depth
500-340-SF	Stainless Steel • Satin Finish
500-340-PS	Stainless Steel • Polished Finish

FEATURES

- 18 gauge, 304 series stainless steel
- 18/10 chrome/nickel content
- Self-rimming bowl can also be undermounted
- 2-3/4 cut out corner radius

OPTIONAL ACCESSORIES

Deluxe Strainers:	950-223 (P.V.D. Brass)
	950-222 (Chrome)
	950-225 (P.V.D. Brass)
	950-224 (Chrome)

WARRANTY

Blanco America's Decorative Bar Sink Series feature a "NO HASSLE" LIMITED LIFETIME WARRANTY to be free of all manufacturing defects under normal use. See our complete warranty for details.

While Blanco America endeavors to provide accurate information, all dimensions are nominal, cannot be guaranteed, and are subject to change or cancellation. Blanco America assumes no responsibility for use of superseded or voided specifications.

PRODUCT SPECIFICATION

Drop-in sink to be bar sink design, 14" in length and 15-5/8" in front-to-back depth. Sink to be made from 18 gauge, 304 series stainless steel, with 18/10 chrome/nickel content. Sink to be Blanco (choose one)

- Model 500-340-BR
- Model 500-340-SF
- Model 500-340-PS

with bowl depth of 5-1/2".

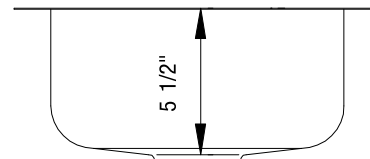
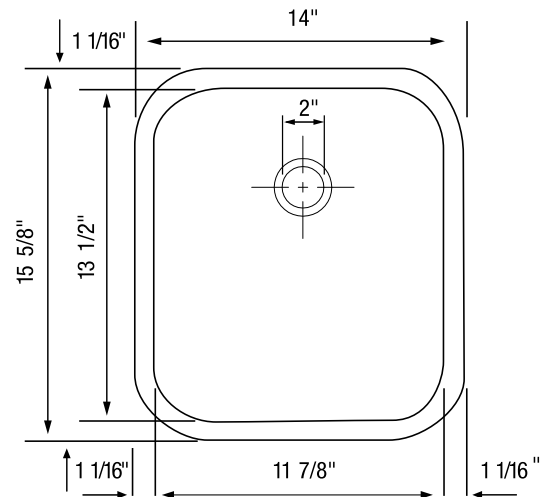
- P.V.D. Brass 500-340-BR
- Stainless Steel • Satin Finish 500-340-SF
- Stainless Steel • Polished Finish 500-340-PS



MODEL 500-340

NOMINAL DIMENSIONS

MODEL	OVERALL	CUTOUT SIZE	BOWL DEPTH	DRAIN DIAMETER
500-340	15-5/8 x 14	12-3/4 x 14	5-1/2	2



JOB INFORMATION

Job Name: _____

Contact: _____

Date Specified: _____

Specifier: _____

Contractor: _____