

FEATURES

- Single washbasin made of pressure-cast fireclay.
- Cata-glaze, lifetime treatment. A total bacteria-proof barrier.
- Install wall-hung, semi-inset, sit-on.
- 0 up to 5 faucet holes. Must specify number of holes and hole position.

OPTIONS

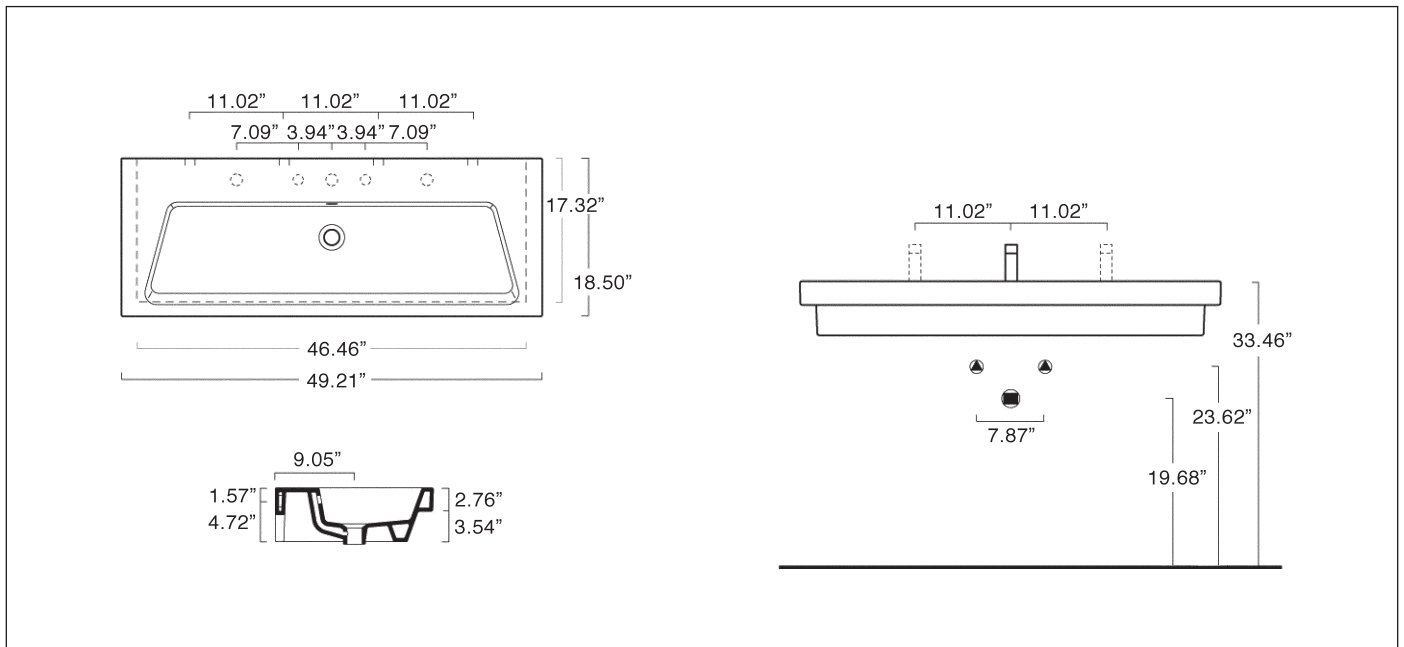
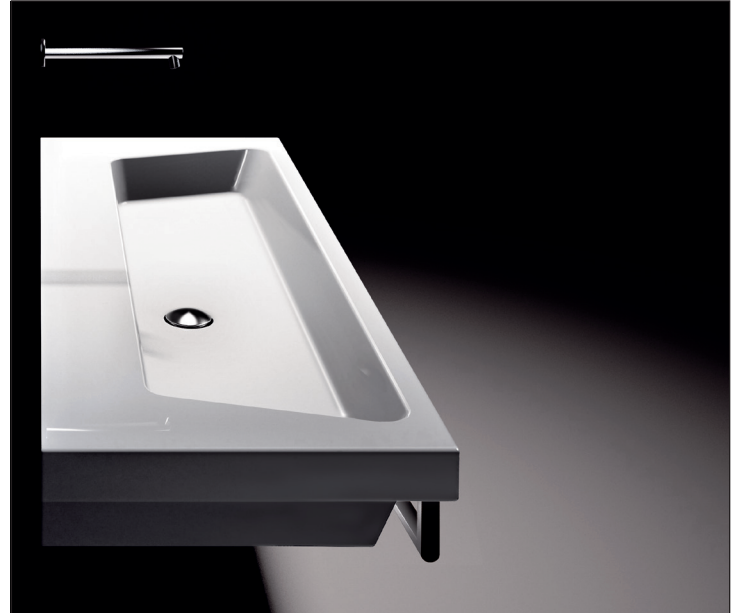
- 5P125N Front Towel Rail constructed of brass with chrome finish (shown right).

SIZE: W49.21" x D18.50" x H6.30"

SHIP WEIGHT: 79.6 lbs.

To Be Specified:

	Model No.	Color
<input type="checkbox"/>	1125PR00	White



PROIEZIONI