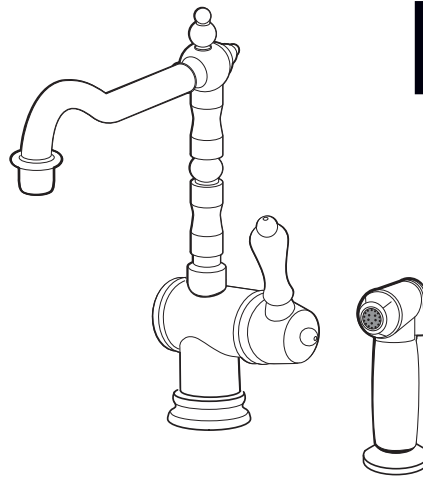


INSTALLATION INSTRUCTIONS

Victorian Single Control Kitchen Faucet

Single Control Faucet
Model D35402000

Single Control Faucet with Spray
Model D35402001



Thank you for selecting DXV. To ensure that your installation proceeds smoothly, please read these instructions carefully before you begin.

RECOMMENDED TOOLS AND MATERIALS

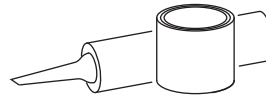
Most of the procedures require the use of common tools and materials, which are available from hardware and plumbing, supply stores. It is essential that the tools and materials be on hand before work is begun.



Channel Locks



Adjustable Wrench



Plumbers' Putty or Caulking



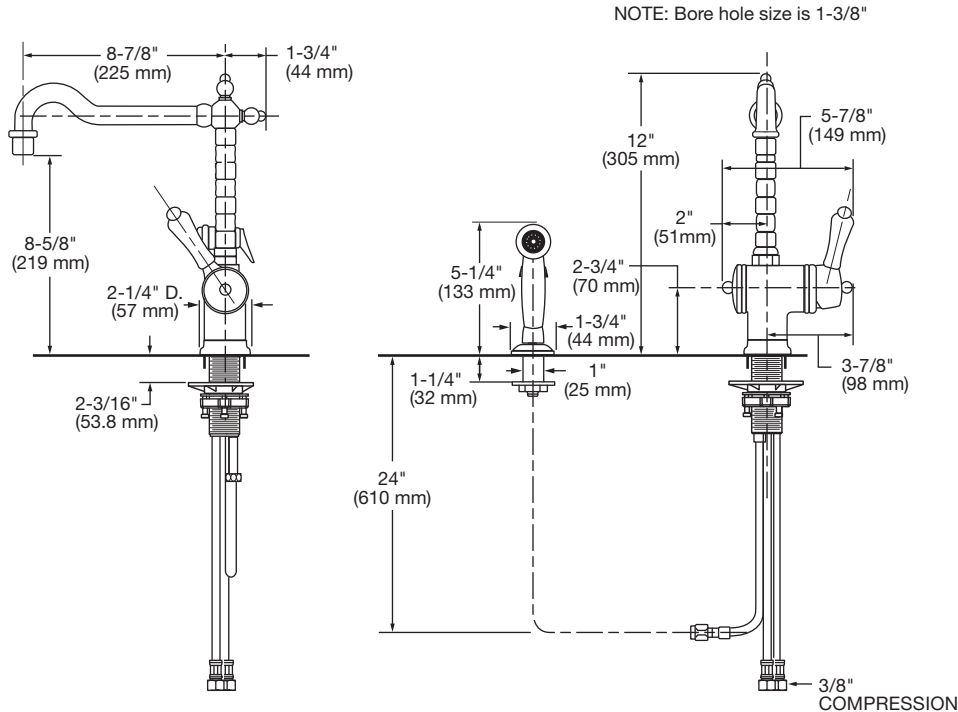
Phillips Screwdriver



Flat Blade Screwdriver

ROUGHING-IN DIMENSIONS:

• For reference



In the United States:

DXV
One Centennial Avenue
Piscataway, New Jersey 08855
Attention: Director of Customer Care

For residents of the United States, warranty information may also be obtained by calling the following toll free number: (800) 227-2734
www.DXV.com

In Canada:

DXV
5900 Avebury Road
Mississauga, Ontario
L5R 3M3
Canada

Toll Free: 1-800-387-0369
Local: 905-306-1093
Fax: 1-800-395-1498
www.DXV.ca

In Mexico:

DXV
Via Morelos 330
Col. Santa Clara Coatitla
Ecatepec, Estado de México 55540

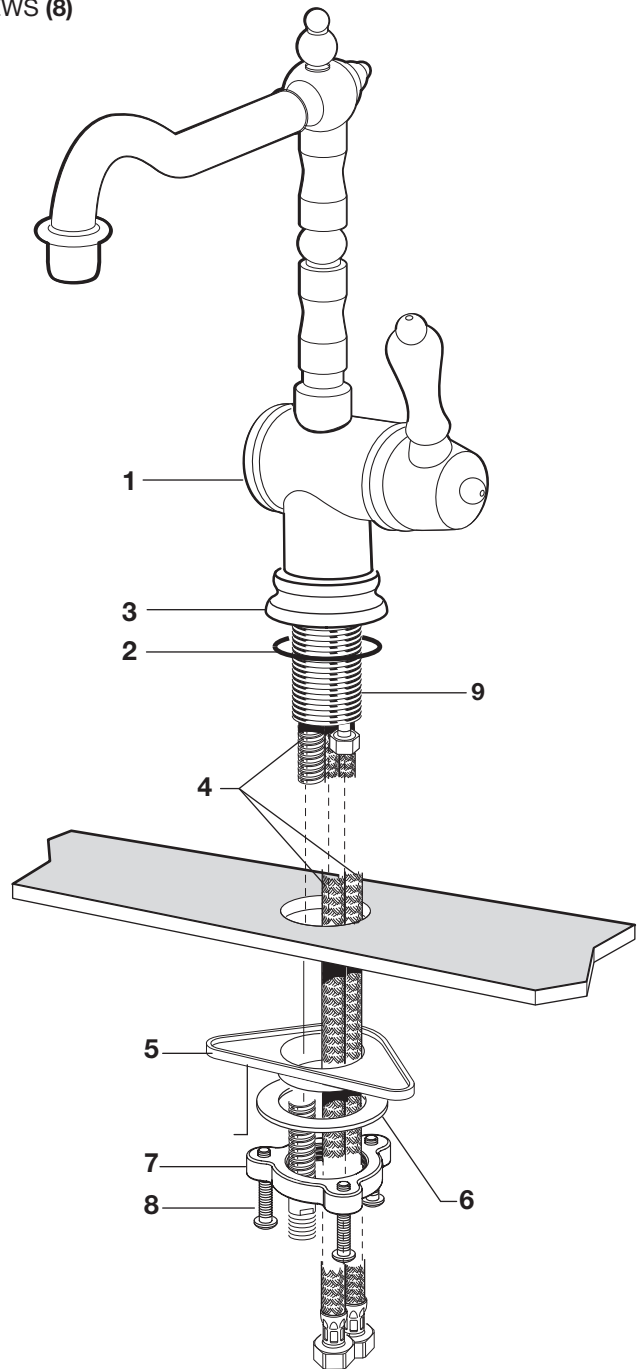
Toll Free: 01-800-8391200
www.DXV.mx

SAVE FOR FUTURE USE

1 INSTALL FITTING

CAUTION Turn off hot and cold water supplies before beginning.

- Make certain the O-RING (2) is properly seated in recess of FAUCET BASE (3).
- Insert HOSES (4) and SHANK (9) through center hole of sink or mounting surface.
- Assemble three BRASS SCREW (8) into the FIXATION RING (7).
- Assemble SUPPORT PLATE (5) METAL WASHER (6), and FIXATION RING (7) onto SHANK (10) from underside of sink. Hand tighten the FIXATION RING (7) and check that FAUCET (1) is centered.
- Use a screwdriver to tighten SCREWS (8) on FIXATION RING (7). Work your way around FIXATION RING (7), tightening the SCREWS (8) slightly each time until all are snug to ensure even pressure.



2 INSTALL SPRAY HOLDER (Model D35402.001)

- Apply a bead of putty to the underside lip of SPRAY HOLDER (1).
- Place the SPRAY HOLDER (1) into the appropriate mounting hole. Assemble the RUBBER WASHER (2), BRASS WASHER (3) and LOCK NUT (4) onto the shank of SPRAY HOLDER (1). From below tighten LOCK NUT (4) to secure SPRAY HOLDER (1).

3 INSTALL HOSE AND SPRAY (Model D35402.001)

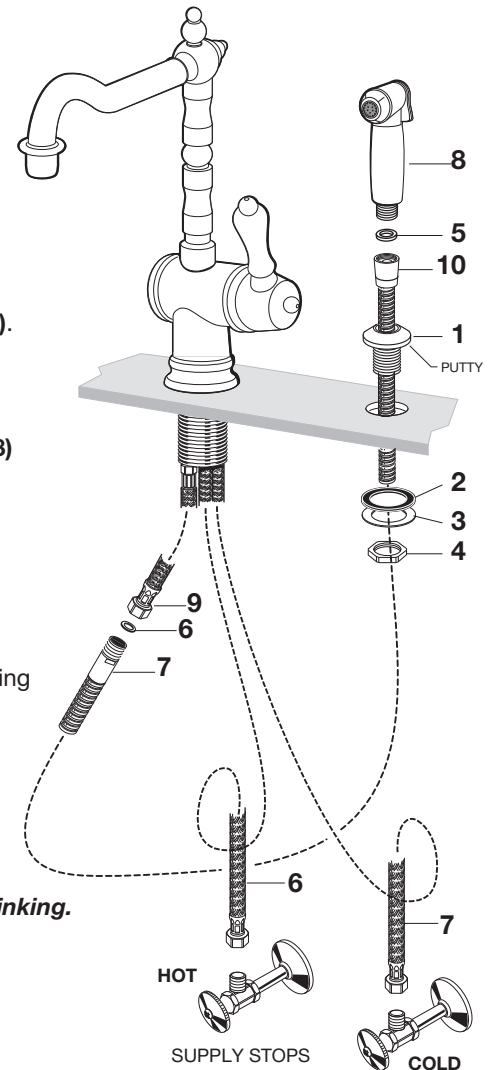
- Remove LARGE WASHER (5) and SMALL WASHER (6) FROM SPRAY HOSE (7). Feed the small end of the SPRAY HOSE (7) through the SPRAY HOLDER (1). Install the SMALL WASHER (6) into the COUPLING (9) of the spray connection on faucet. Connect HOSE END (7) to COUPLING (9).
- Install the LARGE WASHER (5) into the COUPLING (10) for the HAND SPRAY (8) and hand tighten. Place the HAND SPRAY (8) into the Spray holder (1).

4 MAKE WATER SUPPLY CONNECTIONS

- Turn off hot and cold water supplies before beginning.
- Connect FLEXIBLE SUPPLIES (6, 7) directly to wall supplies. Connection on fitting supplies are 3/8" compression. Connect left supply (Marked Red) to Hot and right supply (Marked Blue) to Cold wall supply. Use adjustable wrench to tighten connections. Do not over tighten.
- Faucet supplies are 21" long from faucet base.

Note: If additional supply length is required, installer must purchase additional parts separately.

Important: If SUPPLY HOSES (6, 7) are too long, loop as illustrated to avoid kinking.



5 TEST INSTALLED FAUCET

- Move HANDLE (1) into "off" position.
- Remove AERATOR (6) and clean if necessary.
- Turn on water supplies and check all connections for leaks. ➡
- Pull HAND SPRAY (2) from HOLDER (3) and disconnect HAND SPRAY (2) from HOSE (4). Pull HOSE (4) (HOSE should pull approximately 2 feet) and direct open HOSE END (4) into sink.
- Operate handle, in COLD and HOT positions, to flush water lines thoroughly.
- Connect HAND SPRAY (2) to HOSE END (4). Place HAND SPRAY (2) back into HOLDER (3), operate HANDLE (1) and check all connections for leaks.
- Check HAND SPRAY (2) operation with faucet on push front of LEVER (5) for a broad cleansing spray.

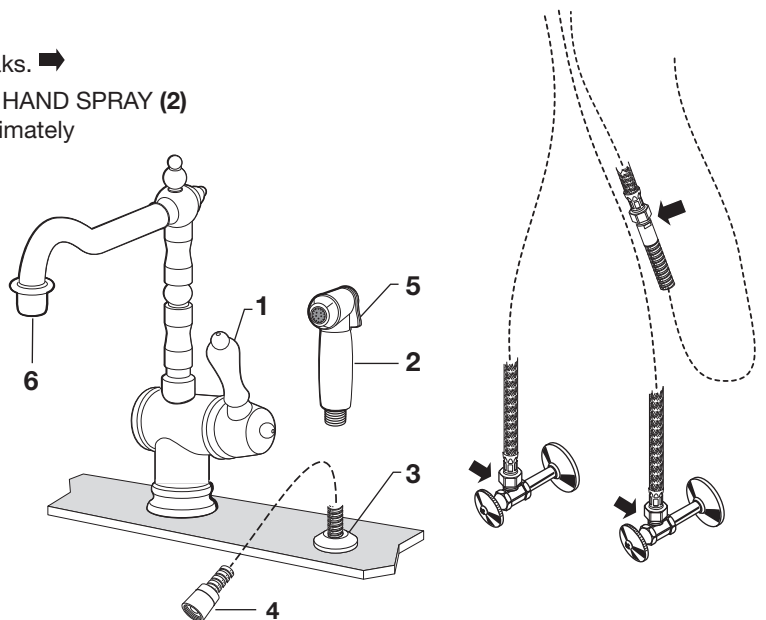
TROUBLE SHOOTING

Low water flow from faucet:

- Remove AERATOR (6) and clean if necessary.

Pull-Out Spray will not remove from faucet freely:

- Check that pull-out spray hose is not obstructed with plumbing connections or fittings under faucet.



DXV

Victorian Single Control Kitchen Faucet

MODEL NUMBERS

Single Control Faucet
D35402000
Single Control Faucet
with Spray
D35402001

Replace the "YYY" with
appropriate finish code

POLISHED CHROME	100
CARBON BRONZE	110
ULTRA STEEL	355

