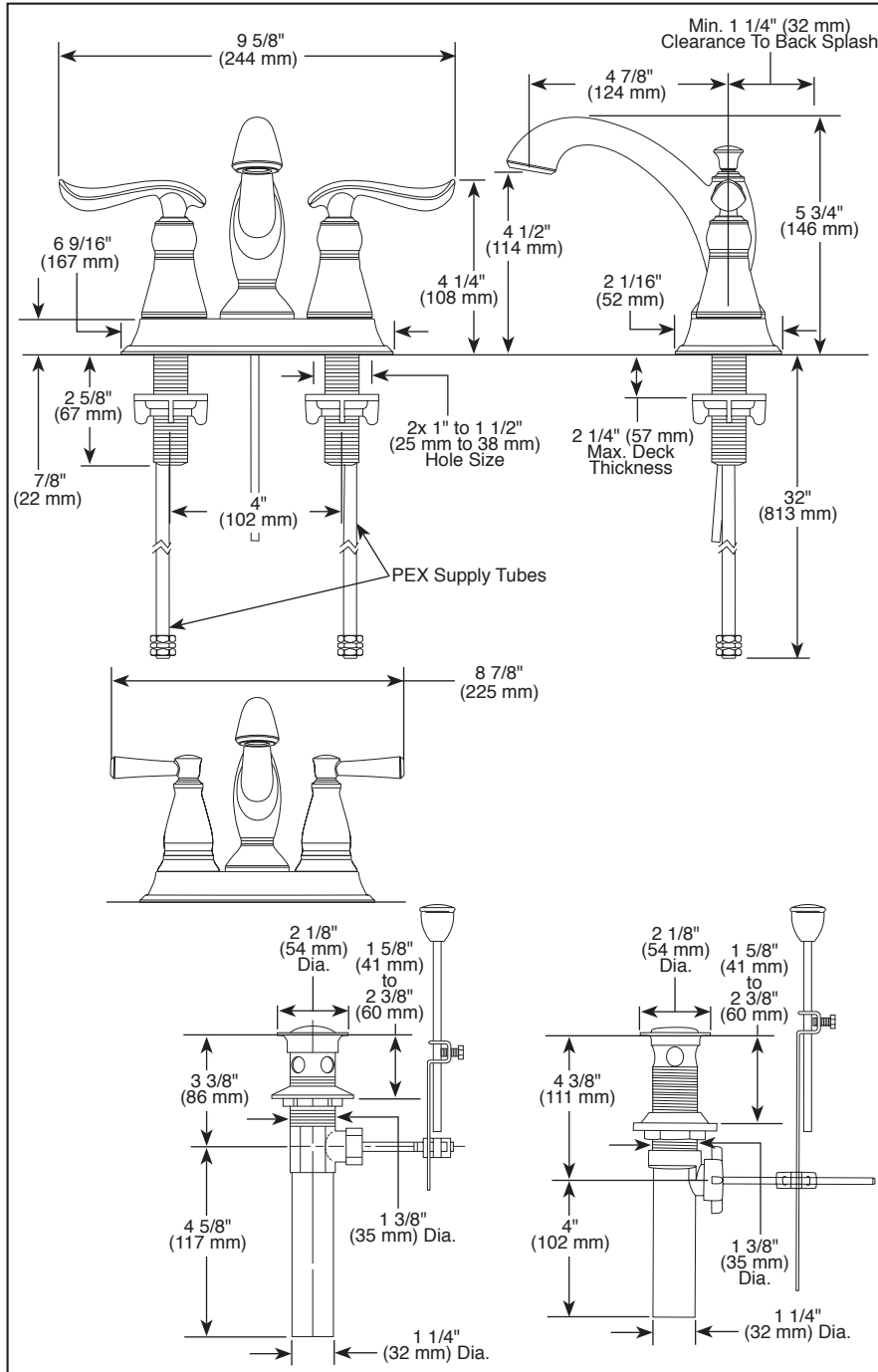


Submitted Model No.: _____
 Specific Features: _____



▲ Designate Proper Finish Suffix

Delta reserves the right (1) to make changes in specifications and materials, and (2) to change or discontinue models, both without notice or obligation. Dimensions are for reference only. See current full-line price book or www.deltafaucet.com for finish options and product availability.

DSP-L-2594-MPU-DST Rev. F



see what Delta can do™

BATHROOM FAUCETS

- Linden™ Collection
- Two Handle Deck Mount

FEATURES:

- DIAMOND Seal® Technology

STANDARD SPECIFICATIONS:

- Max flow rate 1.2 gpm @ 60 psi, 4.5 L/min @ 414 kPa
- Three hole mount
- 1/4 turn handle stops
- Diamond coated ceramic cartridge
- Hot and cold stems are interchangeable
- 3/8" O.D. straight PEX supply tubes
- Models without "TP" suffix have metal drain with pop-up type fitting with plated flange and stopper
- Models with "TP" suffix have polypropylene pop-up type drain fitting with plated metal flange and stopper cap

WARRANTY

- Parts and Finish - Lifetime limited warranty; or for commercial purchasers, 10 years for multi-family residential (apartments and condominiums) and 5 years for all other commercial uses, in each case from the date of purchase.
- Electronic Parts and Batteries (if applicable) - 5 years from the date of purchase; or for commercial purchasers, 1 year from the date of purchase. No warranty is provided on batteries.



COMPLIES WITH:

- ASME A112.18.1 / CSA B125.1
- ASME A112.18.2 / CSA B125.2
- ASME A112.18.6

Indicates compliance to ICC/ANSI A117.1

- EPA WaterSense®
- Verified compliant with .25% weighted average Pb content regulations.

Delta Faucet Company

55 E. 111th Street, Indianapolis, IN 46280
 350 South Edgeware Road, St. Thomas, ON N5P 4L1
 © 2019 Delta Faucet Company