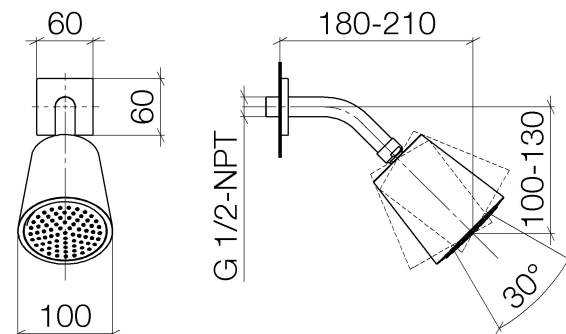




Product specifications

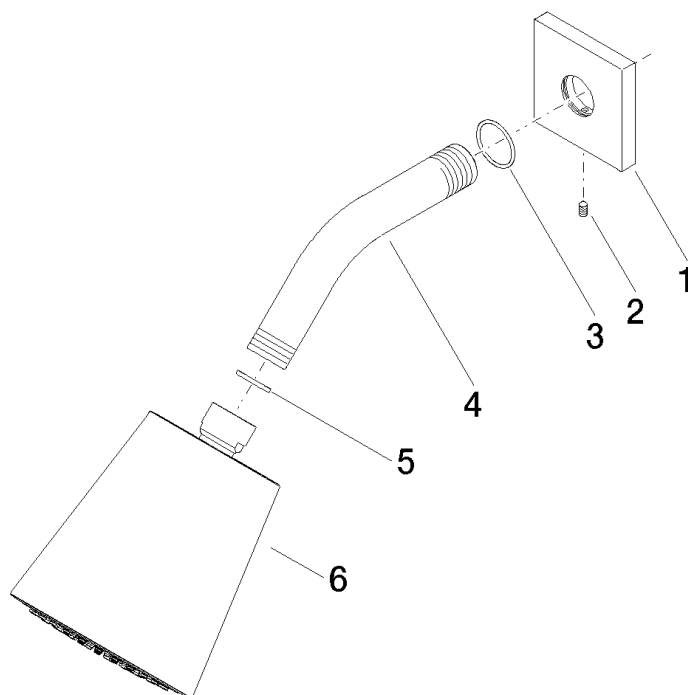
- **7-1/8"-8-1/4" Projection**
- Ball-joint pivotable through 30°
- Standard spray
- Descaling system
- Ø 3-7/8"
- Flange 2-3/8" x 2-3/8"
- 1/2" connection
- Water flow rate limited to max. 1.8 gpm



Surfaces

- chrome 28504670-00
- matt platinum 28504670-06

Exploded assembly drawing



Order quantity

No.	Article number	Name	Installation quantity
2	092798003ff	rosette	1
2	09311104890	pin	1
3	09141002690	seal	1
4	091103011ff	connection	1
5	09142000290	seal	1
6	90120505400ff	shower	1

Flow rate chart

