

ELKAY®

SPECIFICATIONS

Heavy Duty 14 Gauge Drinking Fountain Wall Mount, Fully Exposed Barrier-Free Access Models EHW217RAC & EHW217RAC

PRODUCT SPECIFICATION

RATED FOR INDOOR AND OUTDOOR USE

Wall mounted freeze-resistant drinking fountain constructed of #14 gauge, type 304, stainless steel polished to a lustrous satin finish.

Contoured basin minimizes splashing and has exclusive one-piece, heavy duty Vandal-resistant bubbler. Easy to operate, fully functional chrome plated pushbutton is Vandal-resistant. Bottom cover plate included. Flow regulator provides constant stream from 20 to 105 psi water pressure.

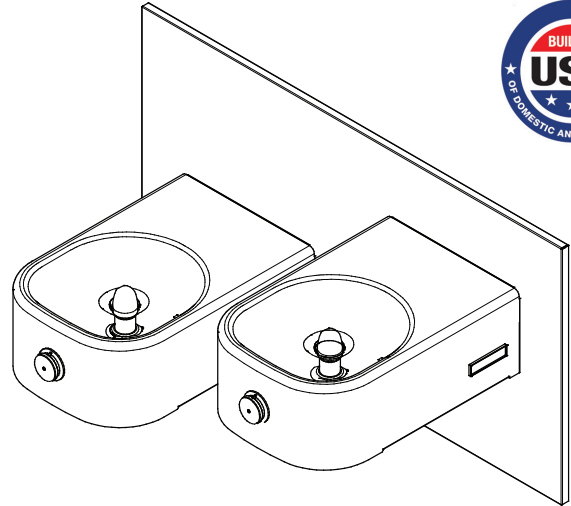
Complies with the requirements of A.D.A. (American's with Disabilities Act) when properly installed.

NO LEAD DESIGN

THIS DRINKING FOUNTAIN COMPLIES WITH THE LEAD-FREE DEFINITION IN THE SAFE DRINKING WATER ACT OF 1986 AND LEAD CONTAMINATION CONTROL ACT OF 1988.

Elkay Drinking Fountains are manufactured with a waterway system utilizing copper components and completely lead-free material. These waterways have no lead because all leaded materials, such as leaded brass, have been removed.

This fountain is certified by WQA to lead-free compliance including **NSF/ANSI 61 and 372.**

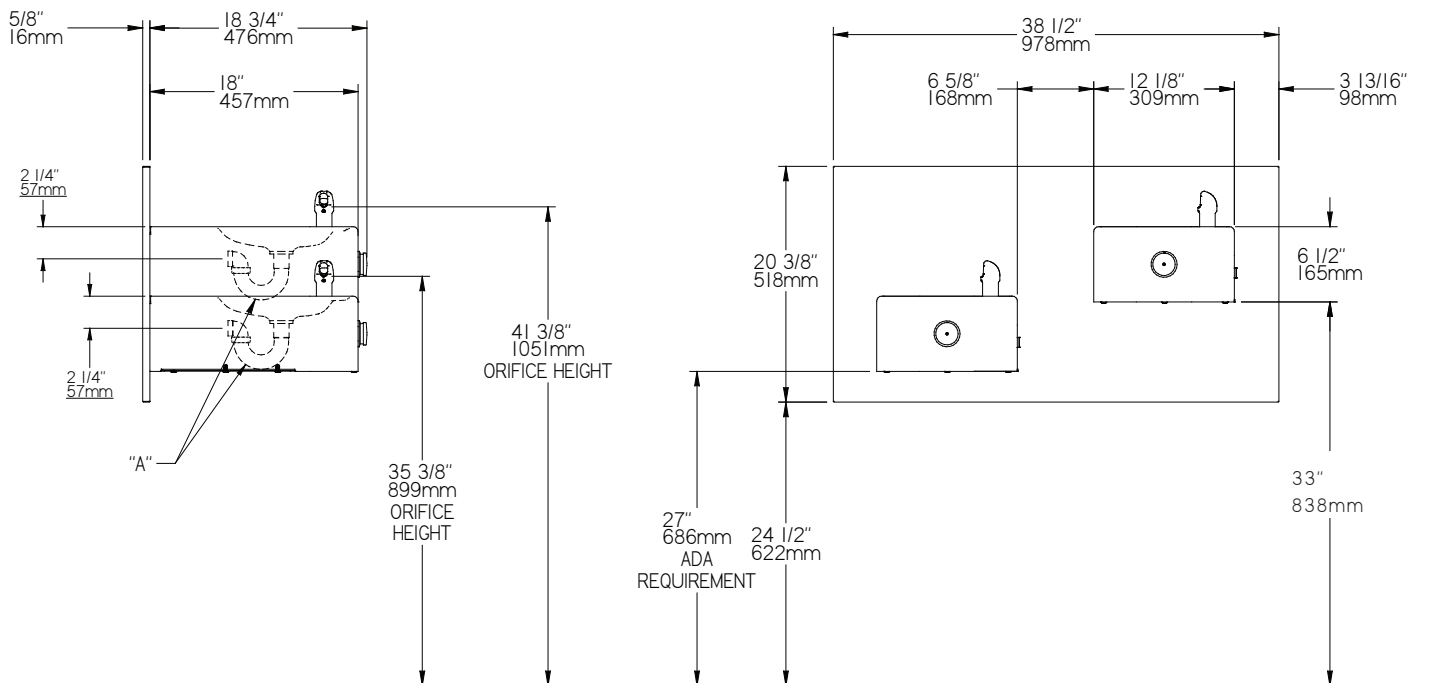


Job Name: _____
Model: _____ Qty. _____
Contact: _____
Approval Signature: _____
Notes: _____

CONSTRUCTION

EHW217RAC furnished complete with vandal-resistant bubbler, fully assembled front push-buttons, flow regulator (20-105 psi), and drain, trap assemblies, vandal-resistant 14 gauge bottom cover plates and surface mounting plate. Trap included.

EHW217RAC does not include the surface mounting plate. To be mounted with **MPW200** in-wall mounting plate. **ML100** in-wall support legs are optional.



LEGEND:

A = Recommended water supply location 3/8" O.D. unplated copper tube connect, stubbed 1-1/2" (38mm) from the wall. Shut off by others.

This specification describes an Elkay product with design, quality and functional benefits to the user. When making a comparison of other producer's offerings, be certain these features are not overlooked.

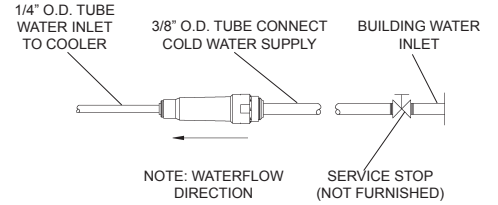
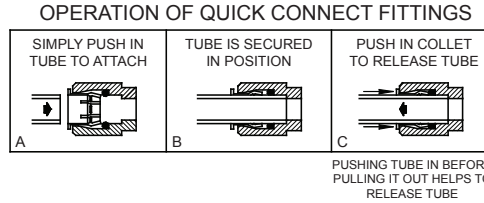
**Heavy Duty 14 Gauge Drinking Fountain
Wall Mount, Fully Exposed
Barrier-Free Access
Model EHWM217RAC**

**ELKAY®
ROUGH-IN DIMENSIONS**

RATED FOR INDOOR AND OUTDOOR USE

INSTALLER NOTE

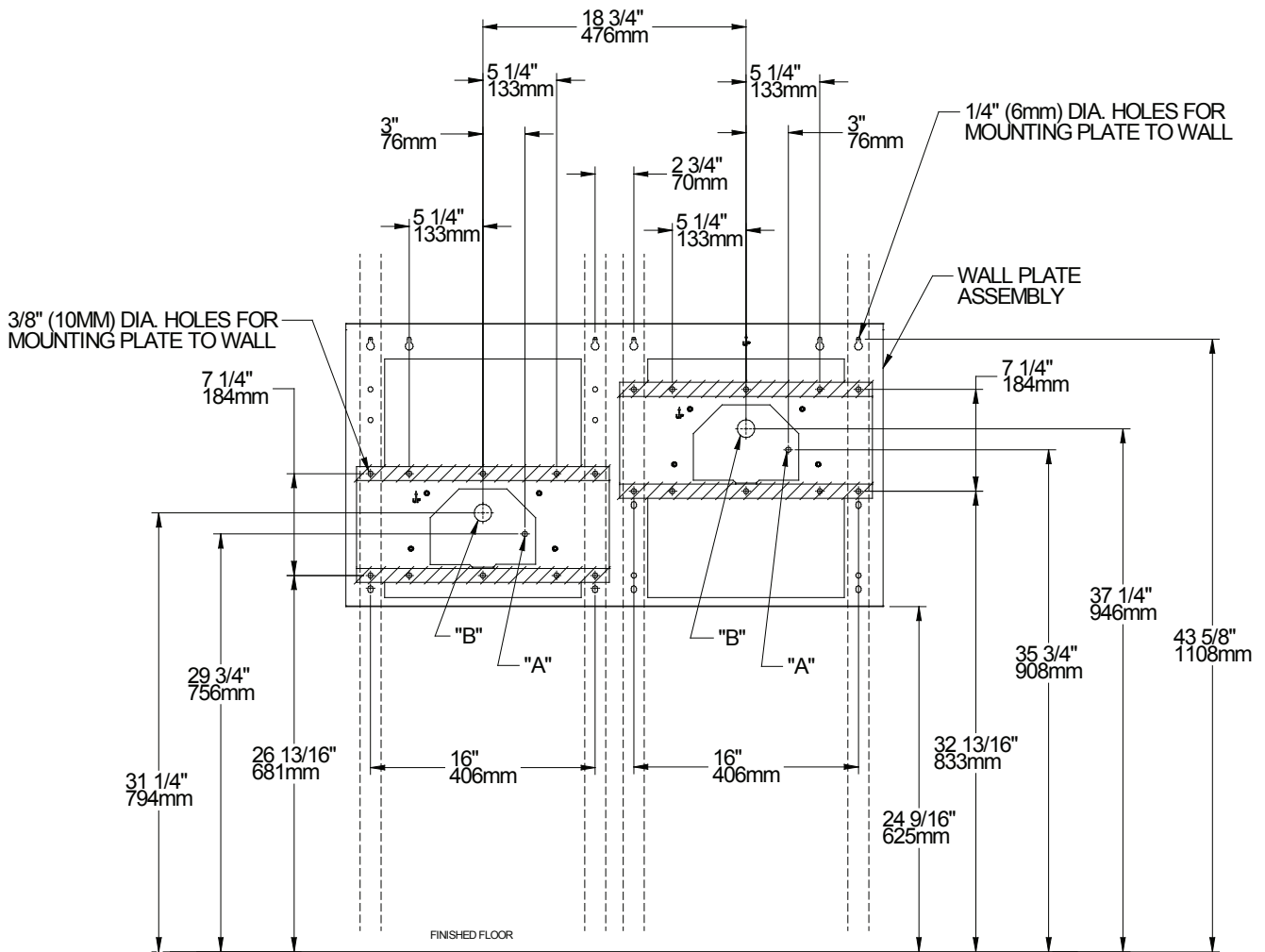
THIS DRINKING FOUNTAIN IS FURNISHED WITH A BUBBLER AND WATERWAY WITH ALL CONNECTING FITTINGS WHICH ARE MANUFACTURED OF COMPLETELY LEAD FREE MATERIAL. SHUT OFF VALVE (NOT FURNISHED) TO ACCEPT 3/8" O.D. UNPLATED COPPER TUBE.



When installing EHWM217RAC which includes a surface mounting plate, refer to the diagram below.

For electrical, waste, and water supply locations refer to the Installation/Owners manual.

NOTE: Reinforce the wall in the shaded areas.



LEGEND:

- A = Recommended water supply location 3/8" O.D. unplated copper tube connect, stubbed 1-1/2" (38mm) from the wall. Shut off by others.
- B = Recommended location for waste outlet 1-1/4" O.D. drain, stubbed 6-5/8" (168mm) from the wall.

Heavy Duty 14 Gauge Drinking Fountain
Wall Mount, Fully Exposed
Barrier-Free Access
Model EHW217RAC with MPW200

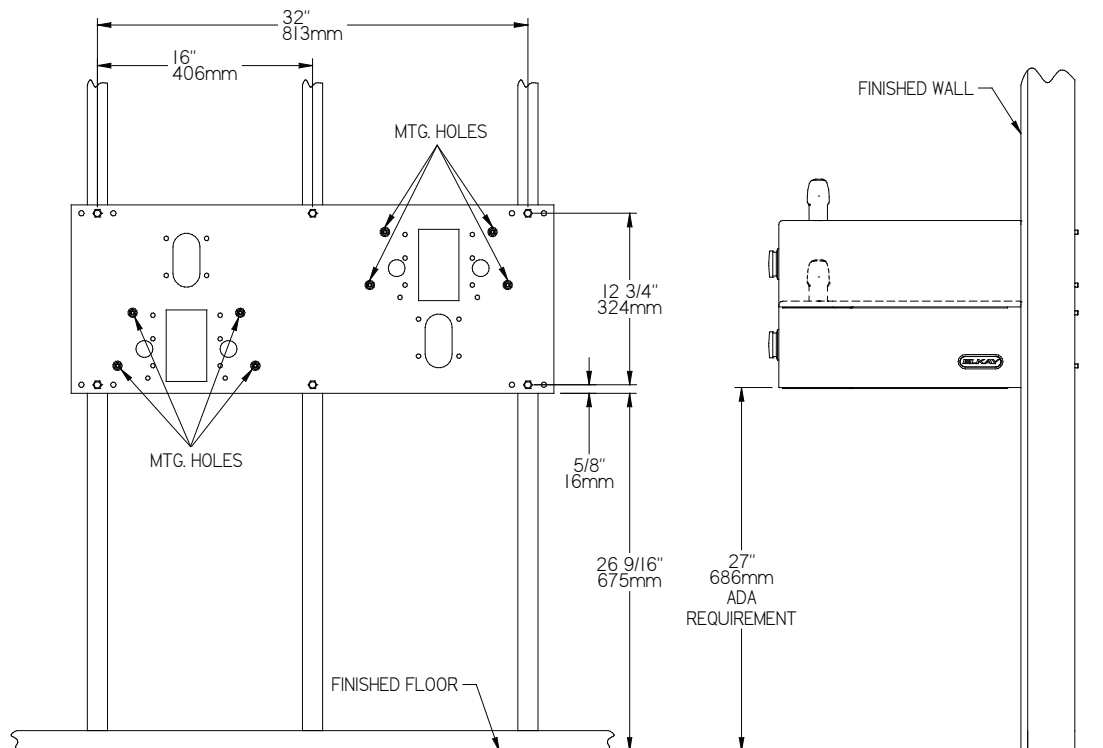
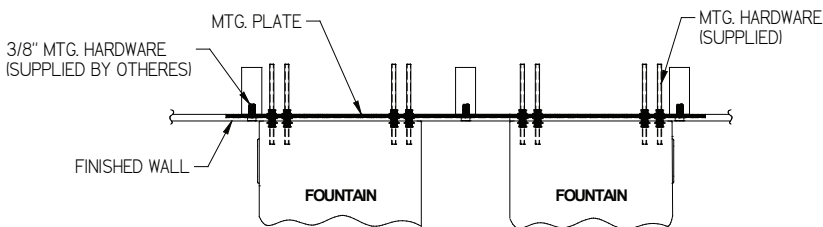
ELKAY®
ROUGH-IN DIMENSIONS

RATED FOR INDOOR AND OUTDOOR USE

When installing EHW217RAC with MPW200 in-wall plate mounted directly to wall studs, refer to the diagrams below.

For electrical, waste, and water supply locations refer to the Installation/Owners manual.

Note – After installation, threaded rods may need to be trimmed.



In keeping with our policy of continuing product improvement, Elkay reserves the right to change specification without notice. Please visit elkay.com for the most current version.

This specification describes an Elkay product with design, quality and functional benefits to the user. When making a comparison of other producer's offerings, be certain these features are not overlooked.