

**PRODUCT SPECIFICATIONS**

Elkay Soft Sides® Single Fountain Non-Filtered Non-Refrigerated Stainless. Furnished with Flexi-Guard® Safety Bubbler. Mechanical Front Bubbler Button activation. Product shall be Wall Mount (On Wall), for Indoor + Outdoor applications, serving 1 station(s).

|                                 |                                 |
|---------------------------------|---------------------------------|
| <b>Finish:</b>                  | Stainless Steel                 |
| <b>Power:</b>                   | No Electrical Required          |
| <b>Bubbler Style:</b>           | Flexi-Guard® Safety Bubbler     |
| <b>Activation by:</b>           | Mechanical Front Bubbler Button |
| <b>Mounting Type:</b>           | Wall Mount (On Wall)            |
| <b>Chilling Capacity:</b>       | Non-refrigerated                |
| <b>Dimensions (L x W x H):</b>  | 12-1/8" x 13" x 6-1/2"          |
| <b>Approx. Shipping Weight:</b> | 14 lbs.                         |
| <b>Installation Location:</b>   | Indoor + Outdoor                |
| <b>No. of Stations Served:</b>  | 1                               |

\*\*When used in non-temperature controlled environments, unit(s) must be adequately winterized and/or protected from extreme heat to prevent damage where climates dictate.

- Mechanically-Activated bubbler continues to supply water in event of service disruptions.



**Included with Product:** Fountain  
**Ships in one box.**

AMERICAN PRIDE. A LIFETIME TRADITION. Like your family, the Elkay family has values and traditions that endure. For almost a century, Elkay has been a family-owned and operated company, providing thousands of jobs that support our families and communities.



**PRODUCT COMPLIANCE**

ASME A112.19.3/CSA B45.4

Buy American Act

NSF/ANSI 61 & 372 (lead free)



[Installation Instructions \(PDF\) - 97156C](#)

Water Systems are warranted for 12 months from date of installation.

**Warranty pertains to drinking water applications only. Non-drinking water applications are not covered under warranty.**

[Warranty \(PDF\)](#)

PART: \_\_\_\_\_ QTY: \_\_\_\_\_

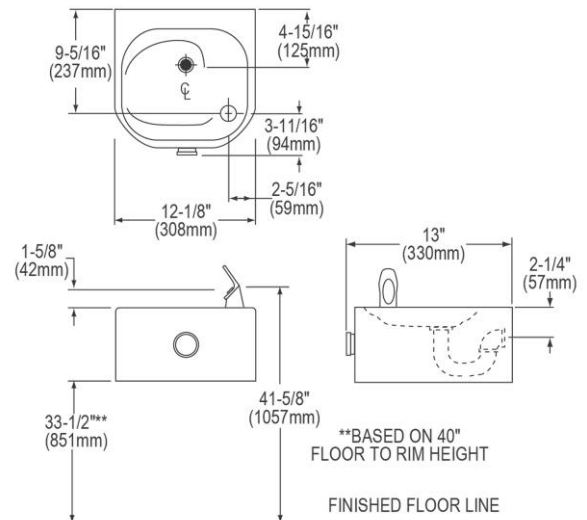
PROJECT: \_\_\_\_\_

CONTACT: \_\_\_\_\_





DATE: \_\_\_\_\_

NOTES: \_\_\_\_\_

APPROVAL: \_\_\_\_\_



*In keeping with our policy of continuing product improvement, Elkay reserves the right to change product specifications without notice. Please visit [elkay.com](http://elkay.com) for the most current version of Elkay product specification sheets. This specification describes an Elkay product with design, quality, and functional benefits to the user. When making a comparison of other producers' offerings, be certain these features are not overlooked.*

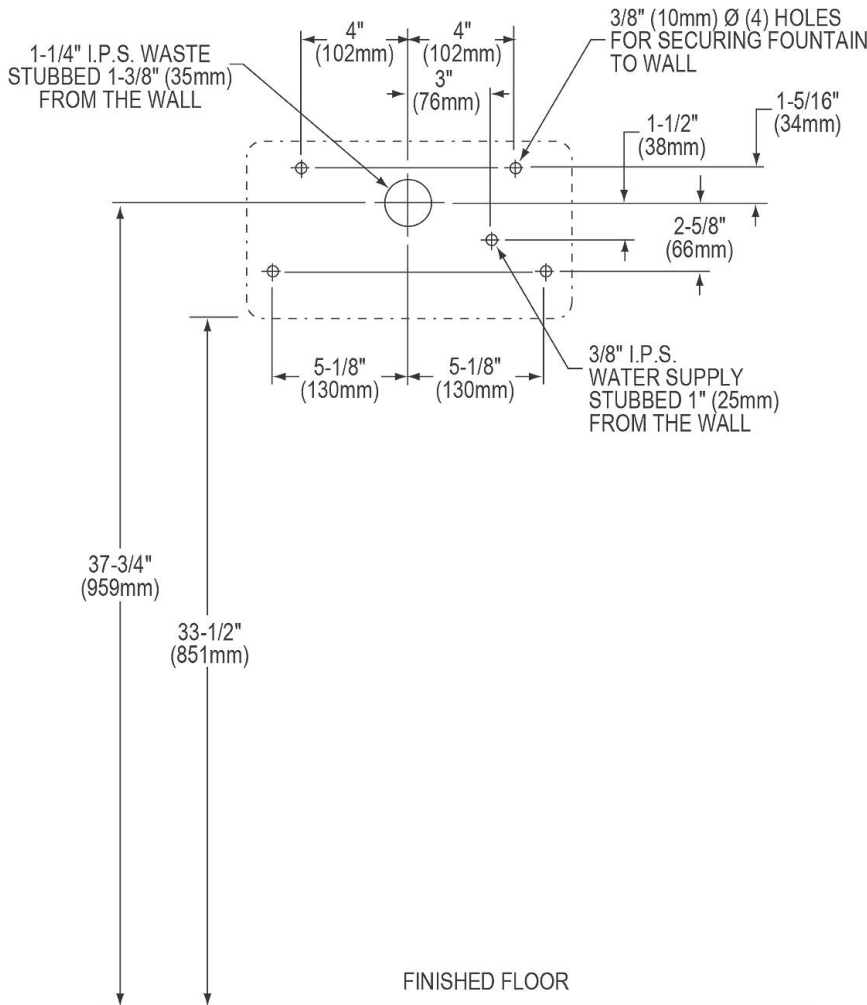
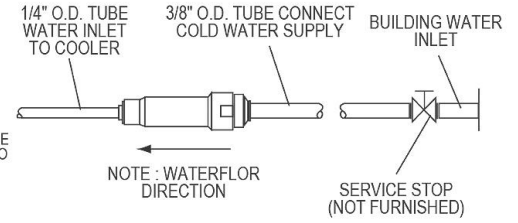
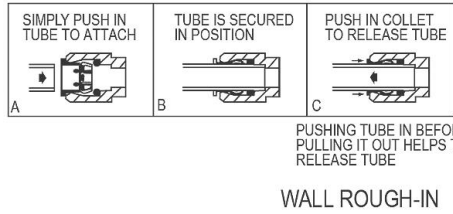
| Optional Accessories   |  |   |
|------------------------|--|---|
| <a href="#">EWF172</a> | Elkay WaterSentry Filter Kit (Coolers + Fountains)<br><a href="#">Spec Sheet (PDF)</a>                   |  |
| <a href="#">MPW101</a> | In-wall Mounting Plate for Single-station Non-refrigerated Fountains<br><a href="#">Spec Sheet (PDF)</a> |  |
| <a href="#">AP99</a>   | Elkay Access Panel 9" x 9" x 6"<br><a href="#">Spec Sheet (PDF)</a>                                      |  |
| <a href="#">WP2</a>    | Wall Plate for EDFP210C and EDFP214C fountains<br><a href="#">Spec Sheet (PDF)</a>                       |  |

*In keeping with our policy of continuing product improvement, Elkay reserves the right to change product specifications without notice. Please visit [elkay.com](http://elkay.com) for the most current version of Elkay product specification sheets. This specification describes an Elkay product with design, quality, and functional benefits to the user. When making a comparison of other producers' offerings, be certain these features are not overlooked.*

**INSTALLER NOTE**

This drinking fountain is furnished with a bubbler and valve including all connecting fittings which are manufactured of completely lead free material. Shut off valve (not furnished) to accept 3/8" O.D. unplated copper tube.

**OPERATION OF QUICK CONNECT FITTINGS**



In keeping with our policy of continuing product improvement, Elkay reserves the right to change product specifications without notice. Please visit [elkay.com](http://elkay.com) for the most current version of Elkay product specification sheets. This specification describes an Elkay product with design, quality, and functional benefits to the user. When making a comparison of other producers' offerings, be certain these features are not overlooked.