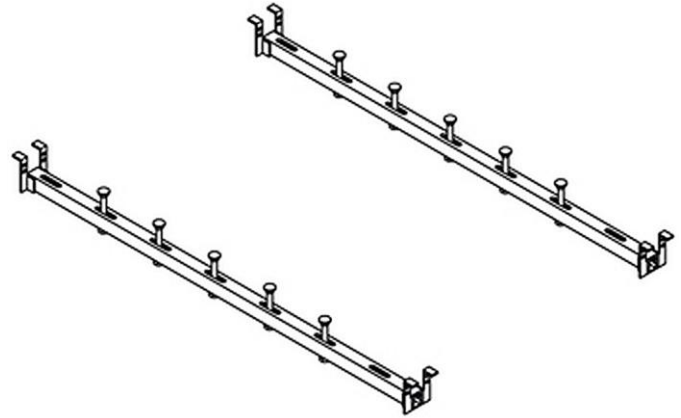


PRODUCT SPECIFICATIONS

Elkay Sink Installation Undermount Support Kit 25" Long Rails.
Overall dimensions are 25" x 1-1/2" x 2". Made of Aluminum.

Material:	Aluminum
Dimensions:	25" x 1-1/2" x 2"
Shipping Weight:	2 lbs.

- Can be cut to the desired length as required.
- Designed to support the sink from the cabinet wall.

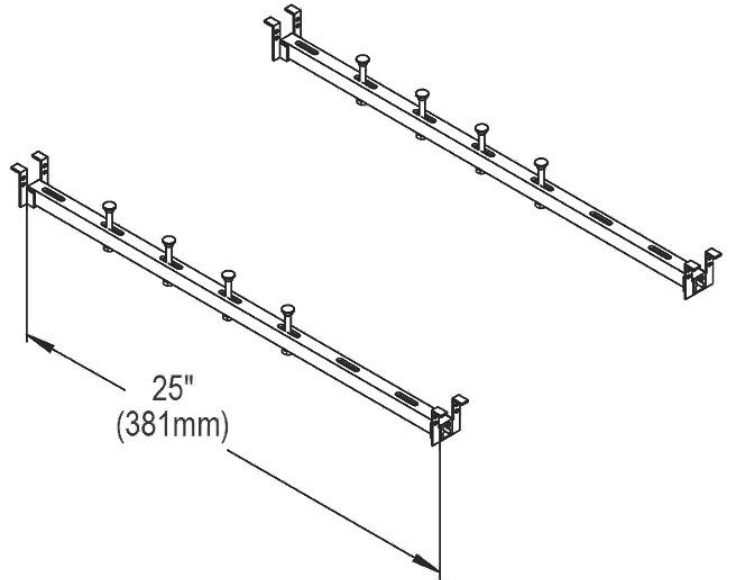


AMERICAN PRIDE. A LIFETIME TRADITION.
Like your family, the Elkay family has values and traditions that endure. For almost a century, Elkay has been a family-owned and operated company, providing thousands of jobs that support our families and communities.



Product Compliance: BUY AMERICAN ACT

[Clean and Care Manual \(PDF\)](#)
[Installation Instructions \(PDF\)](#)
[Warranty \(PDF\)](#)



PART: _____ QTY: _____

PROJECT: _____

CONTACT: _____

DATE: _____

NOTES: _____

APPROVAL: _____

In keeping with our policy of continuing product improvement, Elkay reserves the right to change product specifications without notice. Please visit elkay.com for the most current version of Elkay product specification sheets. This specification describes an Elkay product with design, quality, and functional benefits to the user. When making a comparison of other producers' offerings, be certain these features are not overlooked.