

**PRODUCT SPECIFICATIONS**

Elkay Quartz Classic® 33" x 22" x 9-1/2", Equal Double Bowl Top Mount Sink with Aqua Divide. Sink is molded with up to 80% natural quartz and high performance acrylic resins that are non-porous providing superior heat, scratch, fade and stain resistance. Naturally sound deadening and Rear Center drain placement.

|                              |   |
|------------------------------|---|
| <b>Installation Type:</b>    | Top Mount   |
| <b>Material:</b>             | Quartz  |
| <b>Special Features:</b>     | Aqua Divide   |
| <b>Finish:</b>               | Bisque (BQ), Black (BK), Dusk Gray (GY), Greige (GR), Greystone (GS), Mocha (MC), Pecan (PC), Putty (PT), Sand (SD), White (WH) |
| <b>Number of Bowls:</b>      | 2   |
| <b>Sink Dimensions:</b>      | 33" x 22" x 9-1/2"  |
| <b>Bowl 1 Dimensions:</b>    | 15-1/4" x 17-7/8" x 9-1/2"  |
| <b>Bowl 2 Dimensions:</b>    | 15-1/4" x 17-7/8" x 9-1/2"  |
| <b>Drain Size:</b>           | 3-5/8" (92mm)   |
| <b>Drain Location:</b>       | Rear Center   |
| <b>Minimum Cabinet Size:</b> | 36"   |
| <b>Mounting Hardware:</b>    | Part # 64090408 included for countertops up to 1-3/4" (44mm) thick  |
| <b>Cutout Template #:</b>    | <a href="#">0000001442</a>  |

Template is available for download at [elkay.com](http://elkay.com)

**Cutout Dimensions for Top Mount Installation:**

32-3/8" x 21-3/8" (822mm x 543mm) with 11/16" (17mm) corner radius

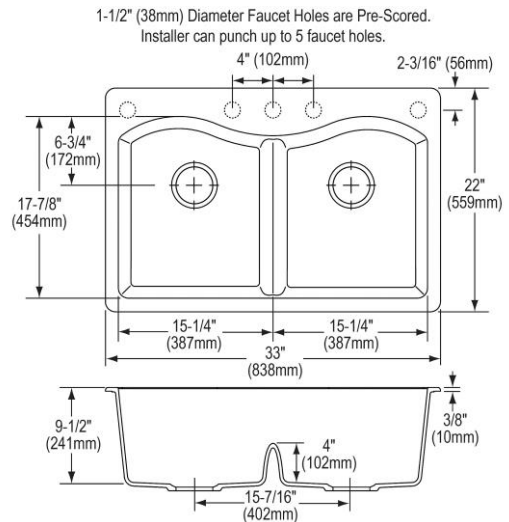


**AMERICAN PRIDE. A LIFETIME TRADITION.**  
Like your family, the Elkay family has values and traditions that endure. For almost a century, Elkay has been a family-owned and operated company, providing thousands of jobs that support our families and communities.

**Product Compliance:** CSA B45.5/IAPMO Z124

Sinks are listed by IAPMO® as meeting the applicable requirements of the Uniform Plumbing Code®, International Plumbing Code®, and National Plumbing Code of Canada.

- [Clean and Care Manual \(PDF\)](#)
- [Installation Instructions \(PDF\)](#)
- [Warranty \(PDF\)](#)



PART: \_\_\_\_\_ QTY: \_\_\_\_\_

PROJECT: \_\_\_\_\_

CONTACT: \_\_\_\_\_

DATE: \_\_\_\_\_

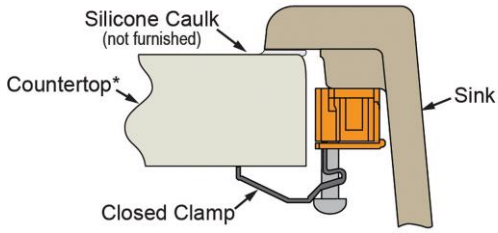
NOTES: \_\_\_\_\_

APPROVAL: \_\_\_\_\_

In keeping with our policy of continuing product improvement, Elkay reserves the right to change product specifications without notice. Please visit [elkay.com](http://elkay.com) for the most current version of Elkay product specification sheets. This specification describes an Elkay product with design, quality, and functional benefits to the user. When making a comparison of other producers' offerings, be certain these features are not overlooked.

**Installation Profile:**

**TOP MOUNT**



\*Maximum thickness for use of hold down system is 1-3/4" (44mm).

**OPTIONAL ACCESSORIES**

|                        |  |
|------------------------|--|
| <b>Bottom Grid:</b>    | LKOBG1417LSS (left bowl),<br>LKOBG1417RSS (right bowl) |
| <b>Cutting Board:</b>  | LKCB1417HW   |
| <b>Drain:</b>          | LKQS35, LKQD35, LK99                                   |
| <b>Faucet:</b>         | LK6000CR, LKEC2031                                     |
| <b>Soap Dispenser:</b> | LKGT1054   |

*In keeping with our policy of continuing product improvement, Elkay reserves the right to change product specifications without notice. Please visit [elkay.com](http://elkay.com) for the most current version of Elkay product specification sheets. This specification describes an Elkay product with design, quality, and functional benefits to the user. When making a comparison of other producers' offerings, be certain these features are not overlooked.*