

PRODUCT SPECIFICATIONS

Elkay Everyday Laundry/Utility Deck Mount Faucet and Lever Handles Chrome. Faucet has a flow rate of 2.2 GPM, and is made of Brass material, with a Ceramic Disc valve. Faucet requires 2 faucet holes.

Mounting Type:	Deck Mount
Special Features:	N/A
Finish:	Chrome (CR)
Handle Type:	Lever Handle
Deck Clearance:	4-1/2"
Spout Reach:	6-5/8"
Spout Height:	6-3/8"
Hole Drillings:	2
Material:	Brass
Valve Type:	Ceramic Disc
Valve Connection:	3/8" Female Compression Hose Assembly
Flow Rate:	2.2 GPM
Faucet Hole Size (min):	1-3/8"
Countertop Thickness:	1-1/2"
Spout Swing Rotation:	360°
Spout Type:	Standard



AMERICAN PRIDE. A LIFETIME TRADITION.
Like your family, the Elkay family has values and traditions that endure. For almost a century, Elkay has been a family-owned and operated company, providing thousands of jobs that support our families and communities.



Product Compliance: ADA & ICC A117.1
ASME A112.18.1/CSA B125.1
NSF 61
NSF 372 (lead free)

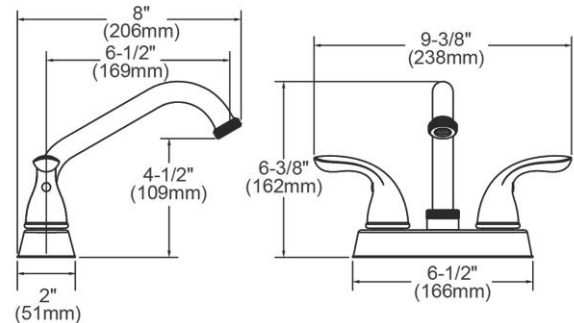
[Clean and Care Manual \(PDF\)](#)
[Installation Instructions \(PDF\)](#)
[Limited Lifetime Warranty \(PDF\)](#)

OPTIONAL ACCESSORIES

LK115 - Elkay Faucet Extension Kit

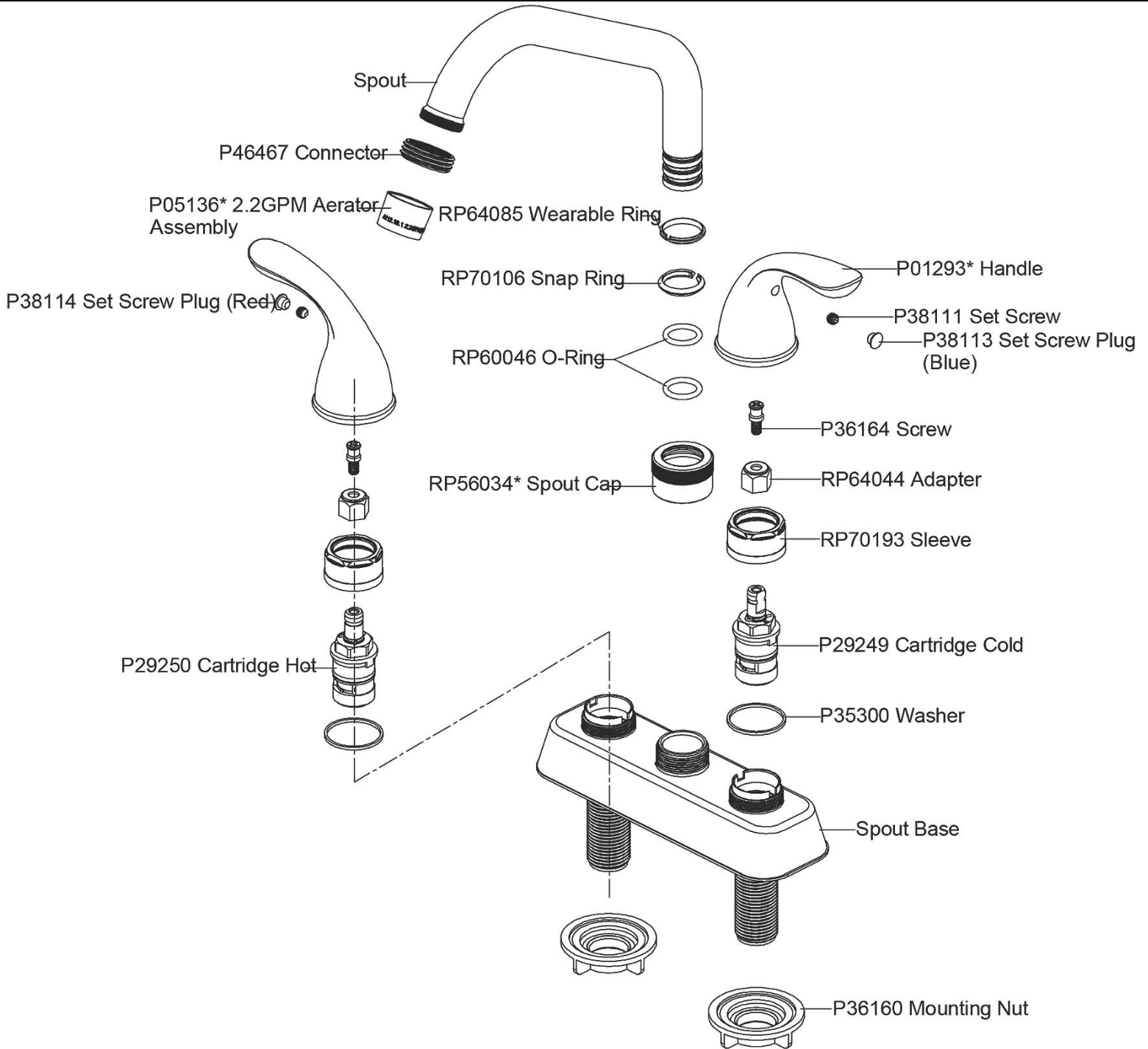


Chrome (CR)



PART: _____ QTY: _____
PROJECT: _____
CONTACT: _____
DATE: _____
NOTES: _____
APPROVAL: _____

In keeping with our policy of continuing product improvement, Elkay reserves the right to change product specifications without notice. Please visit elkay.com for the most current version of Elkay product specification sheets. This specification describes an Elkay product with design, quality, and functional benefits to the user. When making a comparison of other producers' offerings, be certain these features are not overlooked.



In keeping with our policy of continuing product improvement, Elkay reserves the right to change product specifications without notice. Please visit elkay.com for the most current version of Elkay product specification sheets. This specification describes an Elkay product with design, quality, and functional benefits to the user. When making a comparison of other producers' offerings, be certain these features are not overlooked.