

PRODUCT SPECIFICATIONS

Elkay Deck Mount 10-3/4" Spout. Faucet has a flow rate of 2.2 GPM, and is made of Chrome Plated Brass material. Faucet requires 1 faucet holes.

Mounting Type:	Deck Mount
Deck Clearance:	6-5/8"
Spout Reach:	6-1/4"
Spout Height:	10-3/4"
Hole Drillings:	1
Material:	Chrome Plated Brass
Valve Connection:	3/8" Female Compression Hose Assembly
Flow Rate:	2.2 GPM
Countertop Thickness:	1-3/4"
Spout Swing Rotation:	0°
Spout Type:	Fixed Spout

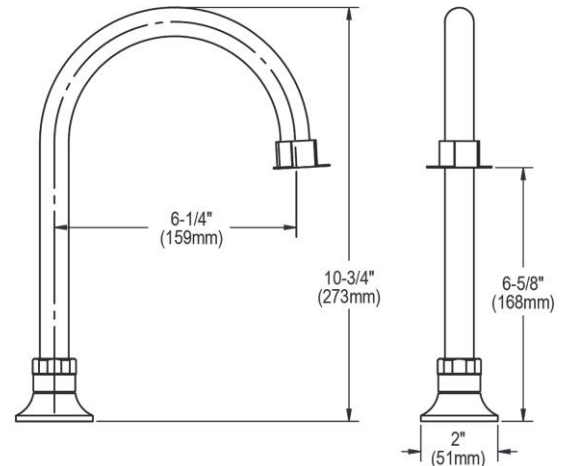


AMERICAN PRIDE. A LIFETIME TRADITION.
Like your family, the Elkay family has values and traditions that endure. For almost a century, Elkay has been a family-owned and operated company, providing thousands of jobs that support our families and communities.

Product Compliance: ASME A112.18.1/CSA B125.1
NSF 61
NSF 372 (lead free)



[Clean and Care Manual \(PDF\)](#)
[Installation Instructions \(PDF\)](#)
[Limited Warranty \(PDF\)](#)



PART: _____ QTY: _____

PROJECT: _____

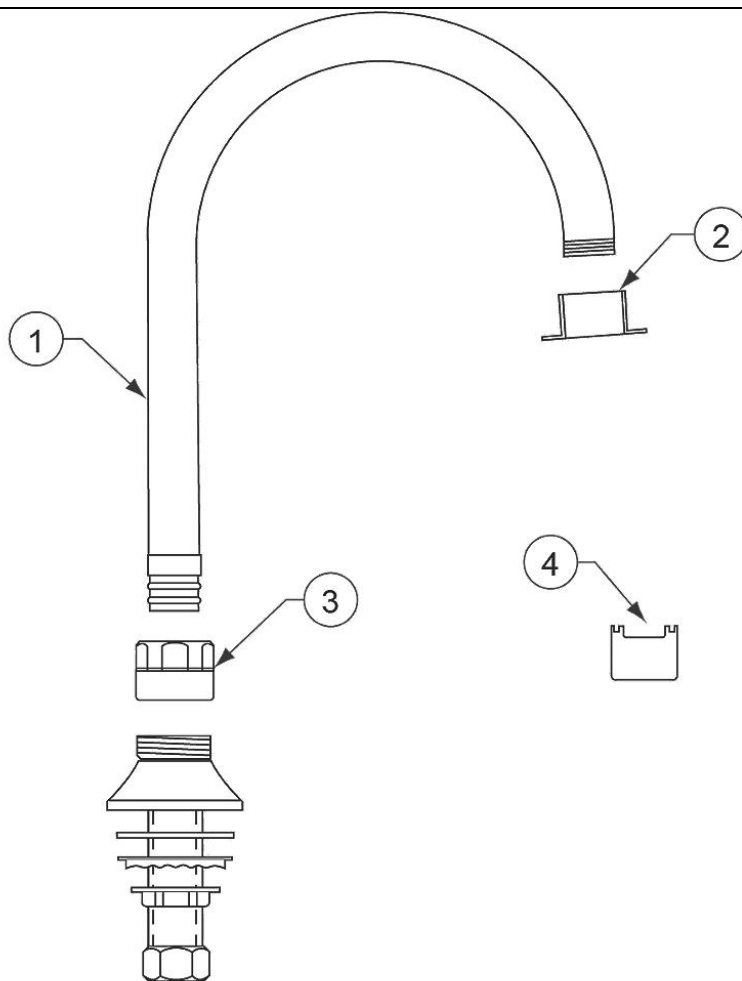
CONTACT: _____

DATE: _____

NOTES: _____

APPROVAL: _____

In keeping with our policy of continuing product improvement, Elkay reserves the right to change product specifications without notice. Please visit elkay.com for the most current version of Elkay product specification sheets. This specification describes an Elkay product with design, quality, and functional benefits to the user. When making a comparison of other producers' offerings, be certain these features are not overlooked.



ITEM NUMBER	NUMBER REQUIRED	PART NUMBER	PART DESCRIPTION
1	1	72001948	Spout Assembly
2	1	AE19A	Vandal-resistant, Anti-hose Aerator
3	1	72001949	Rigid Swivel Adapter
4	1	72002000	Lock Key

In keeping with our policy of continuing product improvement, Elkay reserves the right to change product specifications without notice. Please visit elkay.com for the most current version of Elkay product specification sheets. This specification describes an Elkay product with design, quality, and functional benefits to the user. When making a comparison of other producers' offerings, be certain these features are not overlooked.