

**PRODUCT SPECIFICATIONS**

Elkay 8" Centerset with Concealed Deck Lavatory Faucet with 6" Cast Fixed Spout Chrome. Faucet has a flow rate of .5 GPM, and is made of Chrome Plated Brass material, with a Quarter Turn Ceramic Disc valve. Faucet requires 1 faucet holes.

<b>Mounting Type:</b>	Deck Mount
<b>Special Features:</b>	Solid Brass Construction Adjustable hole spread
<b>Finish:</b>	Chrome (CR)
<b>Handle Type:</b>	Lever Handle
<b>Deck Clearance:</b>	3-1/8"
<b>Spout Reach:</b>	5-5/16"
<b>Spout Height:</b>	4-3/16"
<b>Hole Drillings:</b>	1
<b>Material:</b>	Chrome Plated Brass
<b>Valve Type:</b>	Quarter Turn Ceramic Disc
<b>Valve Connection:</b>	3/8" Female Compression Hose Assembly
<b>Flow Rate:</b>	.5 GPM
<b>Faucet Hole Spread:</b>	8
<b>Spout Swing Rotation:</b>	0°
<b>Spout Type:</b>	Fixed Spout

**Special Note:** Replacement cartridge A70001 for cold, Replacement cartridge A70002 for hot

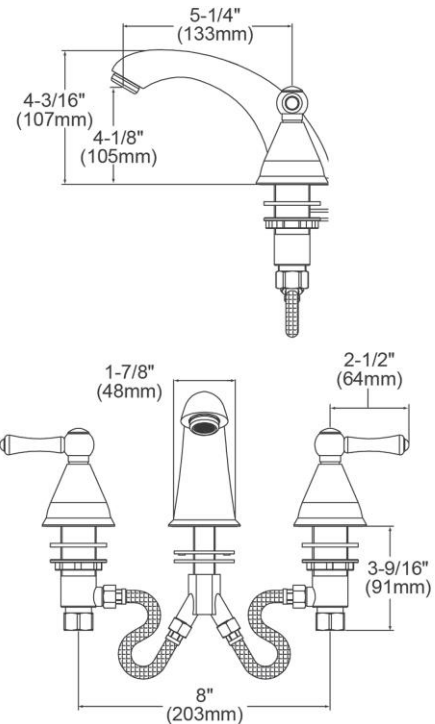


AMERICAN PRIDE. A LIFETIME TRADITION.  
Like your family, the Elkay family has values and traditions that endure. For almost a century, Elkay has been a family-owned and operated company, providing thousands of jobs that support our families and communities.



**Product Compliance:** ADA & ICC A117.1  
ASME A112.18.1/CSA B125.1  
NSF 61  
NSF 372 (lead free)

[Clean and Care Manual \(PDF\)](#)  
[Limited Warranty \(PDF\)](#)



PART: \_\_\_\_\_ QTY: \_\_\_\_\_  
PROJECT: \_\_\_\_\_  
CONTACT: \_\_\_\_\_  
DATE: \_\_\_\_\_  
NOTES: \_\_\_\_\_  
APPROVAL: \_\_\_\_\_

*In keeping with our policy of continuing product improvement, Elkay reserves the right to change product specifications without notice. Please visit [elkay.com](http://elkay.com) for the most current version of Elkay product specification sheets. This specification describes an Elkay product with design, quality, and functional benefits to the user. When making a comparison of other producers' offerings, be certain these features are not overlooked.*