

PRODUCT SPECIFICATIONS

Elkay 8" Centerset with Exposed Deck Faucet with 8" Arc Tube Spout 2" Lever Handles Plus Side Spray Chrome. Faucet has a flow rate of 1.5 GPM, and is made of Chrome Plated Brass material, with a Quarter Turn Ceramic Disc valve. Faucet requires 4 faucet holes.

| | |
|----------------------------|--------------------------------------|
| Mounting Type: | Deck Mount |
| Special Features: | Low Flow Solid Brass Construction |
| Spray Type: | Side |
| Finish: | Chrome (CR) |
| Handle Type: | 2" Lever Handle |
| Deck Clearance: | 3-7/8" |
| Spout Reach: | 8" |
| Spout Height: | 6-1/2" |
| Hole Drillings: | 4 |
| Material: | Chrome Plated Brass |
| Valve Type: | Quarter Turn Ceramic Disc |
| Valve Connection: | 1/2" NPSM Male |
| Flow Rate: | 1.5 GPM |
| Faucet Hole Spread: | 8 |
| Spout Type: | Arc Tube |

Special Note: 1.5 gpm VR aerator installed with 2.2 and .5 gpm inserts included

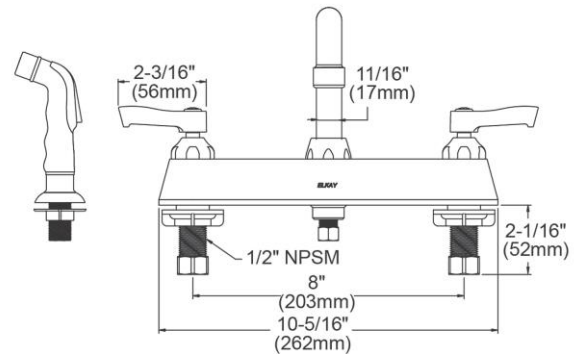
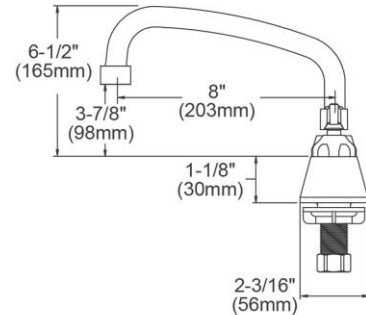


AMERICAN PRIDE. A LIFETIME TRADITION.
Like your family, the Elkay family has values and traditions that endure. For almost a century, Elkay has been a family-owned and operated company, providing thousands of jobs that support our families and communities.



Product Compliance: ADA & ICC A117.1
ASME A112.18.1/CSA B125.1
NSF 61
NSF 372 (lead free)

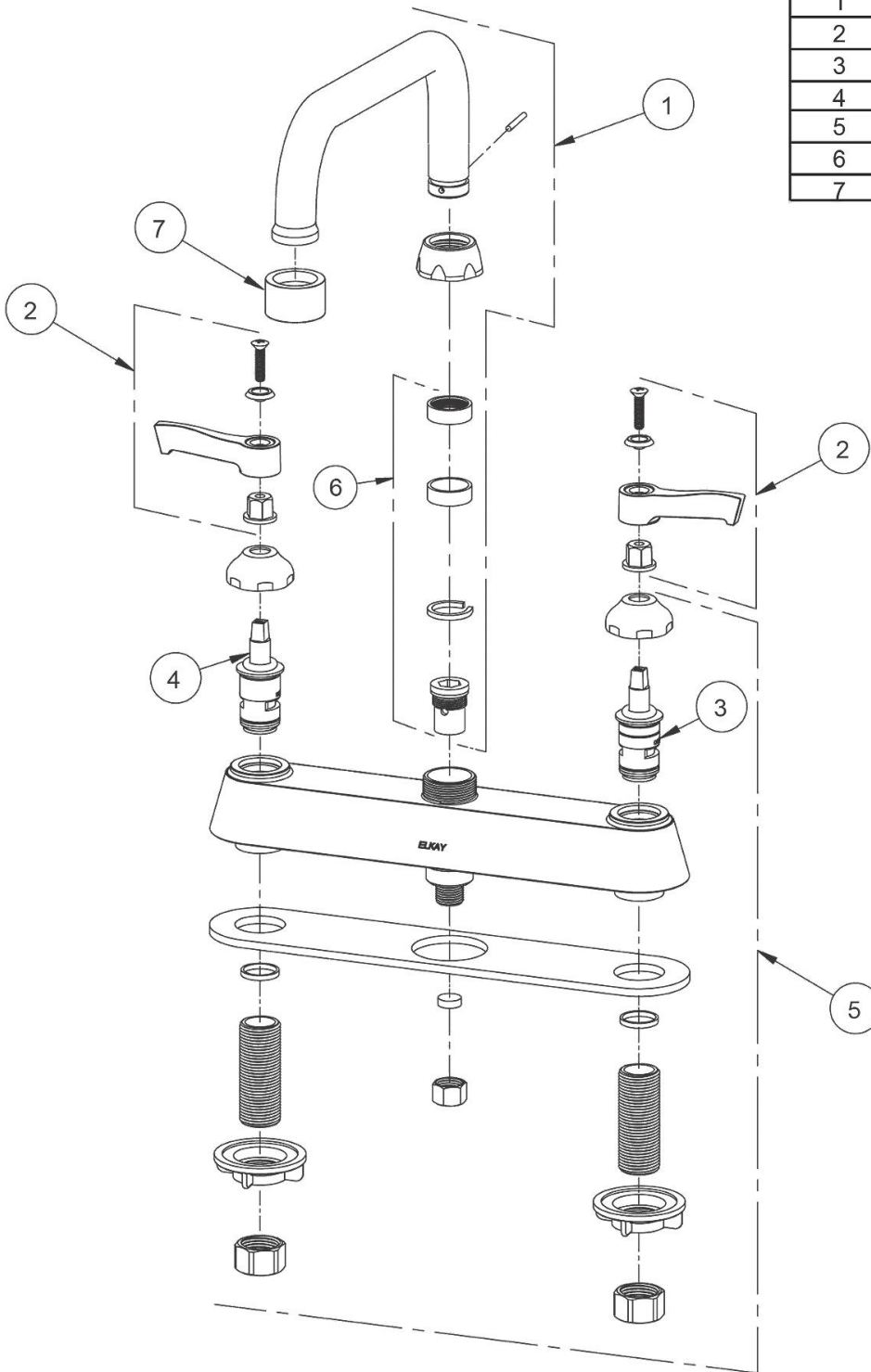
[Clean and Care Manual \(PDF\)](#)
[Installation Instructions \(PDF\)](#)
[Limited Warranty \(PDF\)](#)



PART: _____ QTY: _____
 PROJECT: _____
 CONTACT: _____
 DATE: _____
 NOTES: _____
 APPROVAL: _____

In keeping with our policy of continuing product improvement, Elkay reserves the right to change product specifications without notice. Please visit elkay.com for the most current version of Elkay product specification sheets. This specification describes an Elkay product with design, quality, and functional benefits to the user. When making a comparison of other producers' offerings, be certain these features are not overlooked.

| ITEM | IND. PART | DESCRIPTION |
|------|-----------|----------------------|
| 1 | A55393 | Spout |
| 2 | 45918C | Handle, 2" |
| 3 | 45923C | Right Cold Cartridge |
| 4 | 45924C | Left Hot Cartridge |
| 5 | 45914C | Body |
| 6 | 98554C | Backflow Kit |
| 7 | LK734 | 2.2 GPM VR Aerator |



In keeping with our policy of continuing product improvement, Elkay reserves the right to change product specifications without notice. Please visit elkay.com for the most current version of Elkay product specification sheets. This specification describes an Elkay product with design, quality, and functional benefits to the user. When making a comparison of other producers' offerings, be certain these features are not overlooked.