

**PRODUCT SPECIFICATIONS**

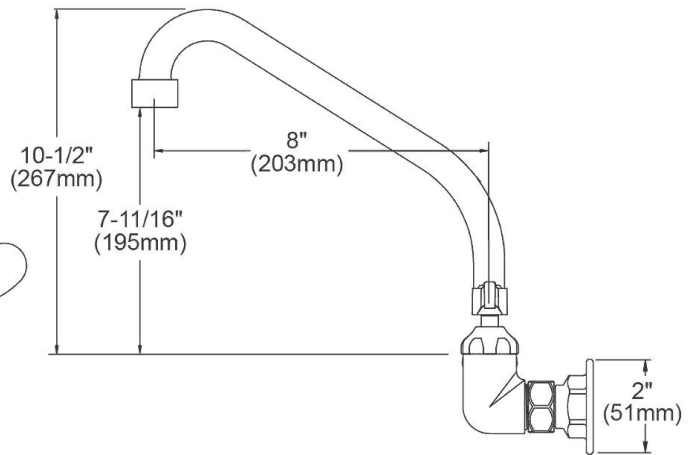
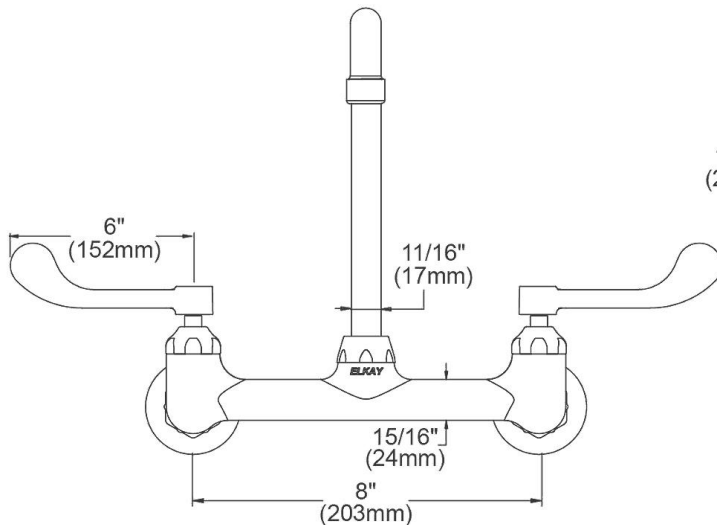
Elkay Foodservice 8" Centerset Wall Mount Faucet with 8" High Arc Spout 6" Wristblade Handles 1/2in Offset Inlets. Faucet has a flow rate of 1.5 GPM, and is made of Chrome Plated Brass material, with a Quarter Turn Ceramic Disc valve. Faucet requires 2 faucet holes.

|                            |   |
|----------------------------|---|
| <b>Mounting Type:</b>      | Wall Mount  |
| <b>Special Features:</b>   | Low Flow<br>Solid Brass Construction<br>Spout swing restriction pin<br>1/2" adjustable inlets |
| <b>Finish:</b>             | Chrome (CR)   |
| <b>Handle Type:</b>        | 6" Wristblade Handle  |
| <b>Deck Clearance:</b>     | 7-11/16"  |
| <b>Spout Reach:</b>        | 8"  |
| <b>Spout Height:</b>       | 10-1/2"   |
| <b>Hole Drillings:</b>     | 2   |
| <b>Material:</b>           | Chrome Plated Brass   |
| <b>Valve Type:</b>         | Quarter Turn Ceramic Disc   |
| <b>Valve Connection:</b>   | 1/2" NPT Female   |
| <b>Flow Rate:</b>          | 1.5 GPM   |
| <b>Faucet Hole Spread:</b> | 8   |
| <b>Spout Type:</b>         | High Arc  |

**Special Note:** 1.5 gpm VR aerator installed with 2.2 and .5 gpm inserts included



Chrome (CR)



AMERICAN PRIDE. A LIFETIME TRADITION.  
Like your family, the Elkay family has values and traditions that endure. For almost a century, Elkay has been a family-owned and operated company, providing thousands of jobs that support our families and communities.



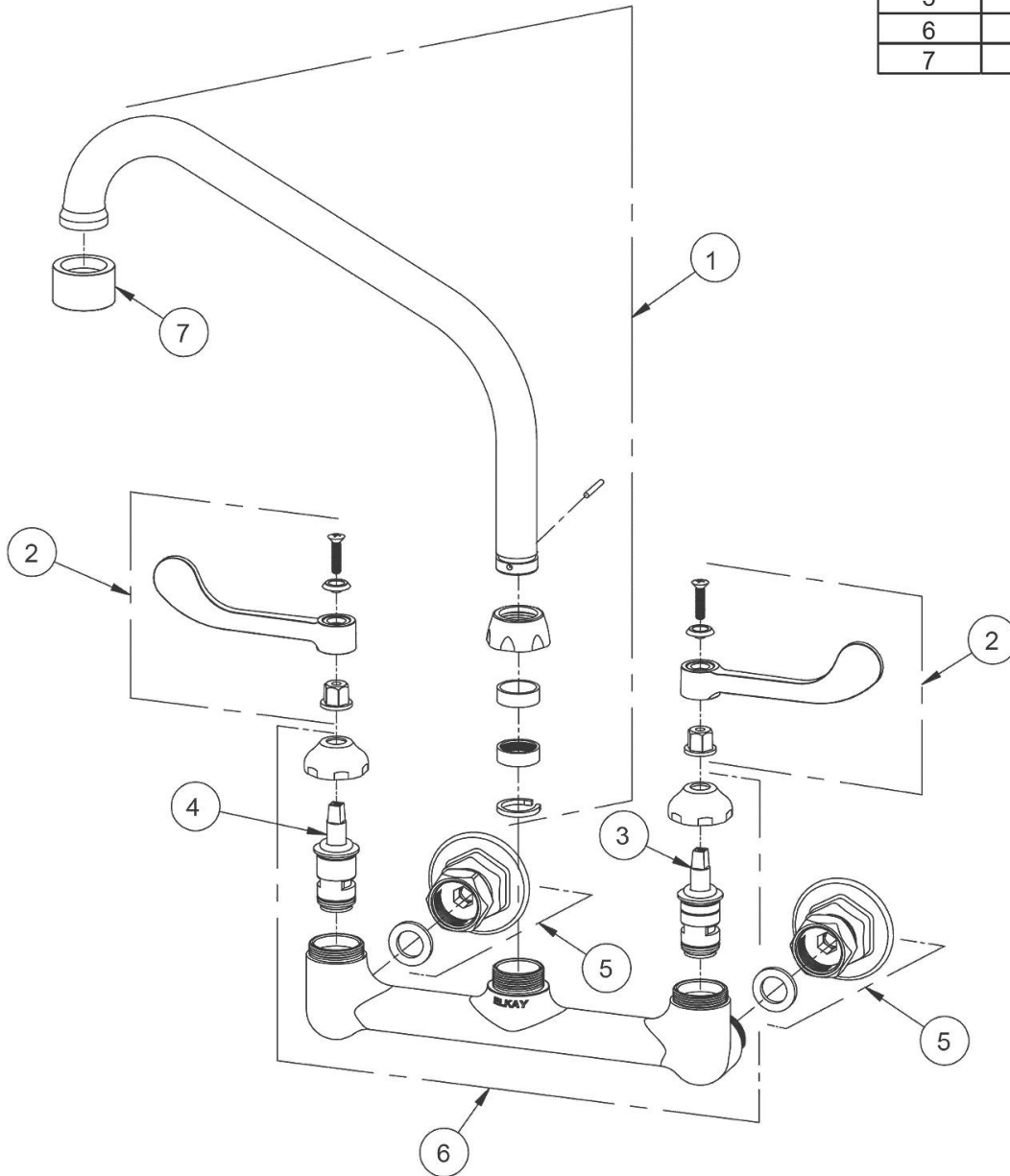
**Product Compliance:** ADA & ICC A117.1  
ASME A112.18.1/CSA B125.1  
NSF 61  
NSF 372 (lead free)

[Clean and Care Manual \(PDF\)](#)  
[Installation Instructions \(PDF\)](#)  
[Limited Warranty \(PDF\)](#)

PART: \_\_\_\_\_ QTY: \_\_\_\_\_  
PROJECT: \_\_\_\_\_  
CONTACT: \_\_\_\_\_  
DATE: \_\_\_\_\_  
NOTES: \_\_\_\_\_  
APPROVAL: \_\_\_\_\_

*In keeping with our policy of continuing product improvement, Elkay reserves the right to change product specifications without notice. Please visit [elkay.com](http://elkay.com) for the most current version of Elkay product specification sheets. This specification describes an Elkay product with design, quality, and functional benefits to the user. When making a comparison of other producers' offerings, be certain these features are not overlooked.*

| ITEM | IND. PART | DESCRIPTION           |
|------|-----------|-----------------------|
| 1    | A55446    | Spout                 |
| 2    | 45920C    | Handle, 6"            |
| 3    | 45923C    | Right Cold Cartridge  |
| 4    | 45924C    | Left Hot Cartridge    |
| 5    | A55413    | 1/2" Adjustable Inlet |
| 6    | 45912C    | Body                  |
| 7    | LK734     | 2.2 GPM VR Aerator    |



In keeping with our policy of continuing product improvement, Elkay reserves the right to change product specifications without notice. Please visit [elkay.com](http://elkay.com) for the most current version of Elkay product specification sheets. This specification describes an Elkay product with design, quality, and functional benefits to the user. When making a comparison of other producers' offerings, be certain these features are not overlooked.