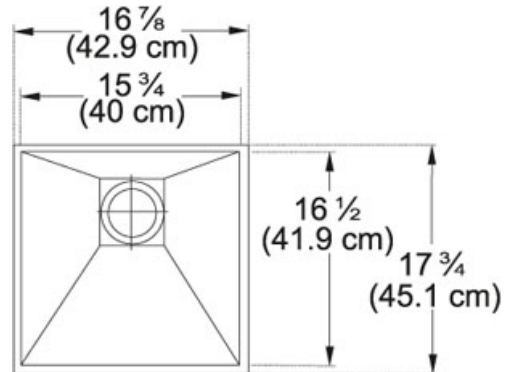


Peak PKX11016 Stainless Steel | 122.0074.944

FAMILY : Sinks | SERIE : Peak | MODEL : PKX11016 | FINISH : Stainless Steel | INSTALLATION TYPE : Undermount | STYLE : Contemporary



Exceedingly attractive. Exceptionally crafted in 16 gauge stainless steel. The perfect harmonization of minimalist style and maximum performance makes the Peak sink truly innovative. Each element is fashioned to excel in both form and function to create complete design symmetry. Aesthetically pleasing and remarkably functional, the Peak sink collection brings unparalleled style and utility to any kitchen.

TECHNICAL DATA

Minimum Cabinet Size	21"
Drain Opening	3 1/2"
Length overall	16 7/8"
Width overall	17 3/4"
Length of large bowl	15 3/4"
Width of large bowl	16 1/2"
Depth of large bowl	9 5/8"
Number of Bowls	1
Cutout Length	15 3/4"
Cutout Width	16 9/16"
Type of Material	16 Gauge Stainless Steel
Cut-Out Template	Yes
Installation Clips	Yes
Franke Integral Ledge	BUILT-IN
Where to buy	Showroom
Where to buy	Showroom

Peak PKX11016 Stainless Steel | 122.0074.944

FAMILY : Sinks | SERIE : Peak | MODEL : PKX11016 | FINISH : Stainless Steel | INSTALLATION TYPE : Undermount | STYLE : Contemporary

RELATED PARTS



112.0074.976



122.0074.951



122.0074.938



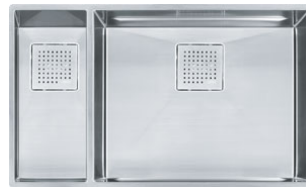
122.0074.956



122.0192.590



122.0074.954



122.0074.965



122.0080.011

RECOMMENDED



115.0298.341



119.0355.521



119.0068.283



134.0297.202



133.0171.120

119.0066.616