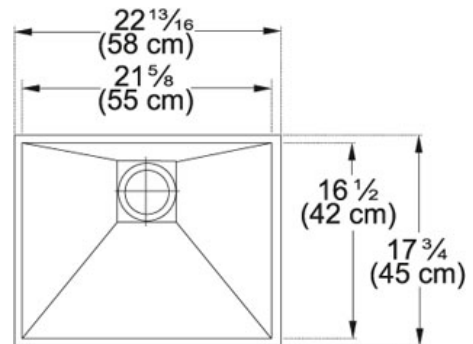


SPECIFICATION SHEET

PRODUCT FAMILY: **Sinks** FINISH: **Stainless Steel** SERIES: **PEAK** MODEL: **PKX11021**



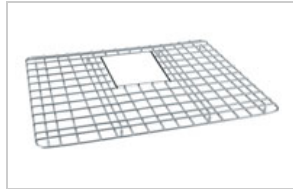
Product Information

FUN#	122.0074.956
US Part Number	PKX11021
Franke Integral Ledge	built-in
Minimum Cabinet Size	24"
Drain Opening	3 1/2"
Outer Dimensions	23 13/16"x17 3/4"
Bowl Size	21 5/8"x16 1/2"x9 7/8"
Number of Bowls	1
Type of Material	16 gauge Stainless Steel

Accessories



112.0066.060



112.0173.262



112.0173.264

Suggested Products



112.0007.730



112.0049.213



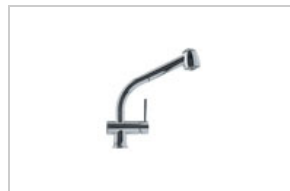
112.0066.071



112.0073.921



112.0073.934



115.0067.275



119.0066.616



119.0068.282



119.0175.313



133.0178.205