



Drop-in/Under-mount Bathroom Sink 111-0

Features

- Drop-in or under-mount installation
- 20-gauge stainless steel with luster finish
- No faucet holes; accommodates either a wall-mount or countertop faucet
- Center drain, no overflow

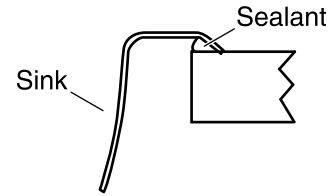
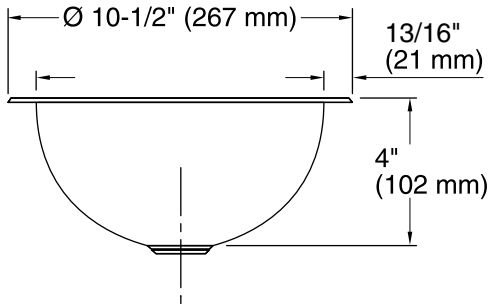
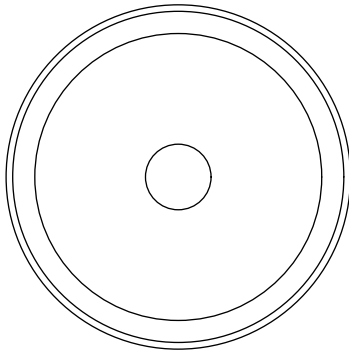


Codes/Standards

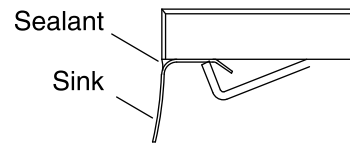
None Applicable

STERLING® Warranty - Stainless Steel Sinks

See website for detailed warranty information.



Top-Mount Installation



Under-mount Installation

Technical Information

All product dimensions are nominal.

- Installation: Drop-in, Under-mount
- Bowl area (Only): Length: 8-7/8" (225 mm)
Width: 8-7/8" (225 mm)
Bowl depth: 4" (102 mm)
- Drain hole: 2" (51 mm)
- Template: 1033101-7, not required, not included

Notes

Install this product according to the installation instructions.