

Features

- Large/small bowl.
- No faucet holes; requires wall- or counter-mount faucet.
- Luster finish.
- Includes reveal and no-reveal option.
- SilentShield® sound-absorption technology offers quieter performance.
- 11409 = single pack.
- J11409 = 3 per pack.
- T11409 = 20 per pack.
- F11409 = 40 per pack.
- Left-hand versions also available (-L).
- 31-3/4" (806 mm) x 20-3/4" (527 mm) x 8" (203 mm)

Material

- 18-gauge stainless steel.

Installation

- Under-mount.

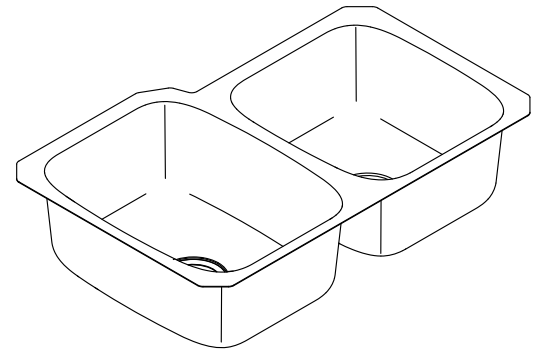
Recommended Accessories

7400 Duostrainer™ Sink Strainer
11862 Sink Rack
11863 Sink Rack
K-6139 Sponge Caddy

Components

Product includes:

91915 Hardware Kit



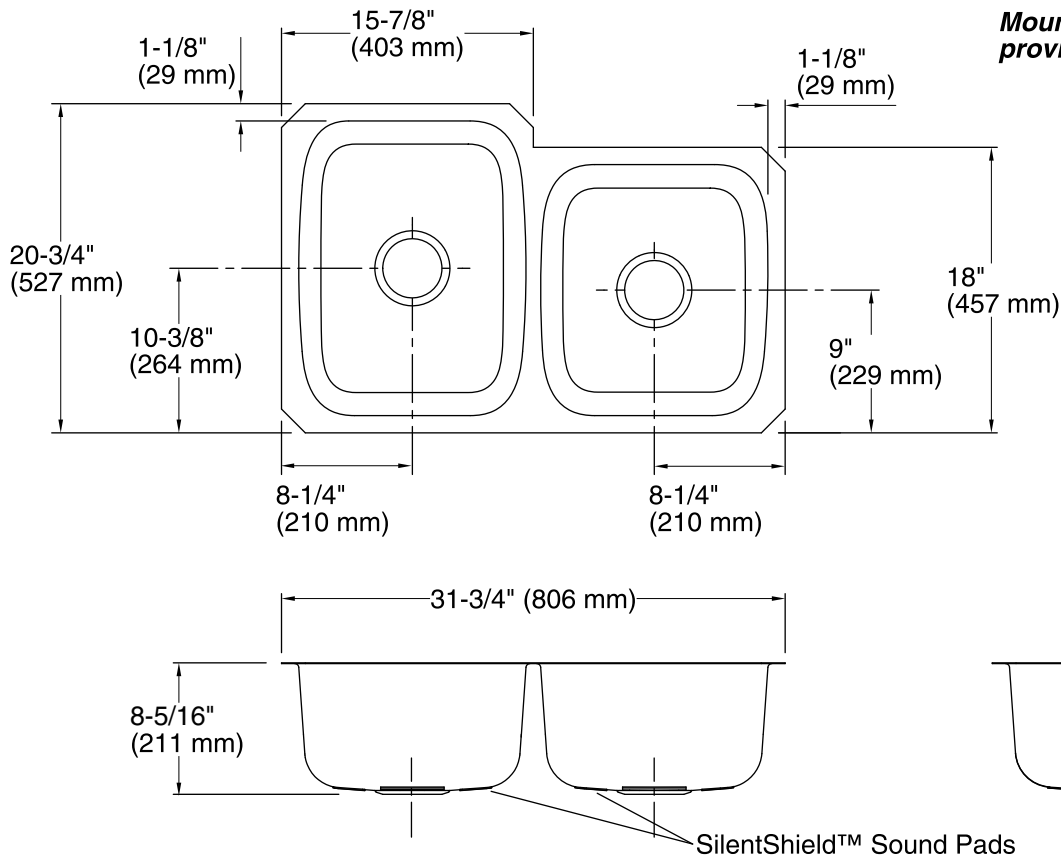
Codes/Standards

ASME A112.19.3/CSA B45.4

STERLING® Warranty - Stainless Steel Sinks

See website for detailed warranty information.

Mounting bracket assembly provides a secure installation.



Technical Information

All product dimensions are nominal.

Bowl configuration: Off-set Large/small

Installation: Under-mount

Min. base cabinet width: 36" (914 mm)

Bowl area (Left) Length: 14-1/4" (362 mm)

Width: 18-1/2" (470 mm)

Bowl depth: 8" (203 mm)

Water depth: 8" (203 mm)

Bowl area (Right) Length: 14-1/4" (362 mm)

Width: 15-3/4" (400 mm)

Bowl depth: 8" (203 mm)

Water depth: 8" (203 mm)

Drain hole: 3-3/4" (95 mm)

Template: 1055957-7, required, included

Notes

Install this product according to the installation instructions.

Measure your actual product for roughing-in details.

Use the supplied cut-out template to select either a hidden or exposed rim.