

Features

- Rectangular bowl.
- No faucet holes; requires wall- or counter-mount faucet.
- Luster bowl finish.
- Includes reveal and no-reveal option.
- SilentShield® sound-absorption technology offers quieter performance.
- 11447 = single pack.
- J11447 = 3 per pack.
- T11447 = 20 per pack.
- 23-3/8" (594 mm) x 17-11/16" (449 mm) x 8" (203 mm)

Material

- 20-gauge stainless steel.

Installation

- Under-mount.

Recommended Accessories

7400 Duostrainer™ Sink Strainer

Components

Product includes:

91915 Hardware Kit

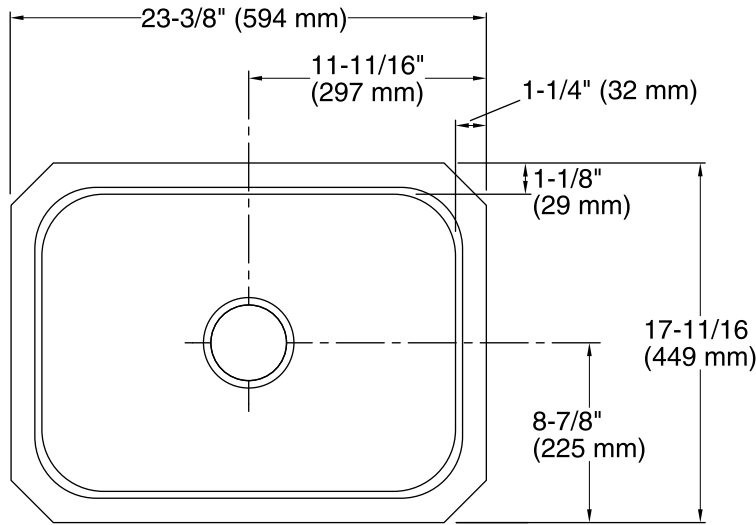


Codes/Standards

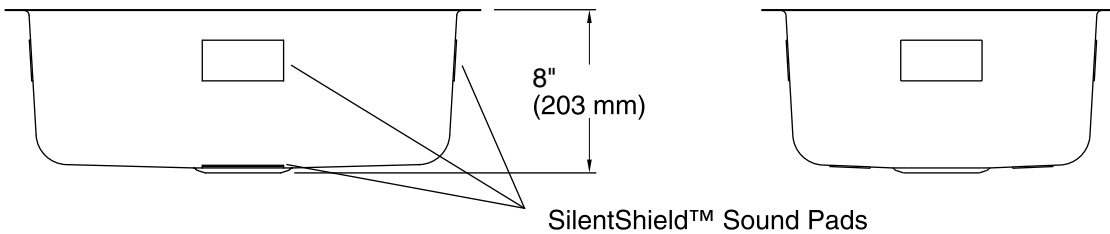
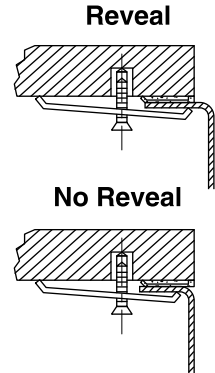
ASME A112.19.3/CSA B45.4

STERLING® Warranty - Stainless Steel Sinks

See website for detailed warranty information.



Mounting bracket assembly provides a secure installation.



Technical Information

All product dimensions are nominal.

- Bowl configuration: Single
- Installation: Under-mount
- Min. base cabinet width: 27" (686 mm)
- Bowl area (Only)
 - Length: 20-7/8" (530 mm)
 - Width: 15-7/16" (392 mm)
 - Bowl depth: 8" (203 mm)
 - Water depth: 7-3/4" (197 mm)
- Drain hole: 3-1/2" (89 mm)
- Template: 1064257-7, required, not included

Notes

- Install this product according to the installation instructions.
- Measure your actual product for roughing-in details.