



# Cinch® Under-Mount Kitchen Sink 11722-3

## Features

- Integrated faucet deck prevents drilling of faucet holes in countertop surface.
- Optimized front-to-back dimension maximizes the amount of countertop material behind and in front of the sink.
- 9" (229 mm) depth provides generous workspace.
- Rear-oriented drain locations maximize usable bowl space and storage space under the counter.

## Material

- Premium 18-gauge stainless steel.

## Recommended Products/Accessories

- 7400 Sink Strainer
- 15287 Sink Rack

## Included Components

- Product consists of:
- 91915 Hardware Kit



## Codes/Standards

ASME A112.19.3/CSA B45.4

## STERLING® Warranty - Stainless Steel Sinks

See website for detailed warranty information.

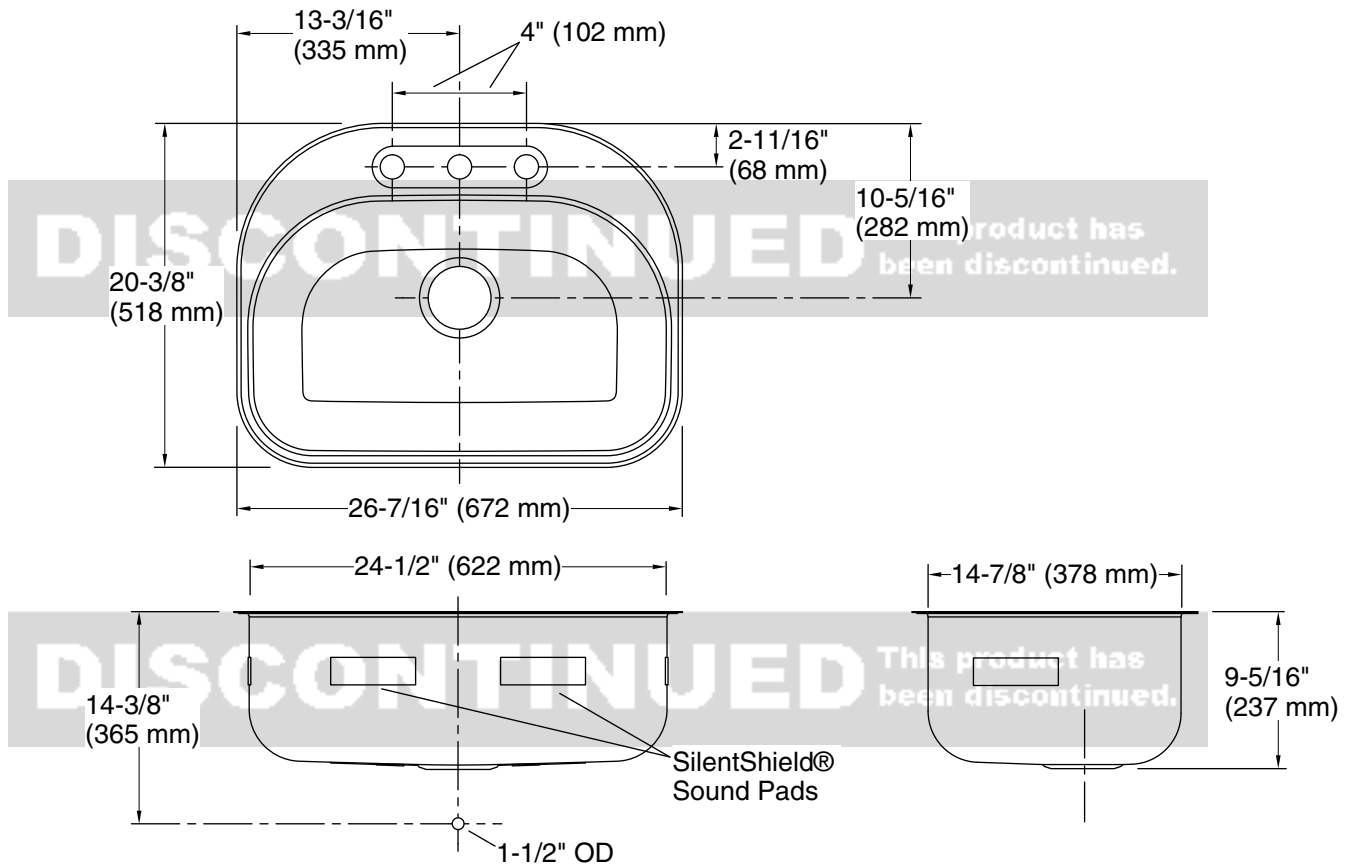
**DISCONTINUED** This product has been discontinued.

1-800-STERLING (1-800-783-7546)

Kohler Co. reserves the right to make revisions without notice to product specifications.

For the most current Specification Sheet, go to [www.sterlingplumbing.com](http://www.sterlingplumbing.com).

5-29-2021 14:41 - US



**Technical Information**

All product dimensions are nominal.

Bowl configuration: Single

Installation: Under-mount

Min. base cabinet width: 30" (762 mm)

Bowl area (Only): Length: 24-1/2" (622 mm)  
Width: 14-7/8" (378 mm)  
Bowl depth: 9-5/16" (237 mm)  
Water depth: 9-5/16" (237 mm)

Number of deck holes: 3

Faucet hole(s): 1-3/8" (35 mm)

Drain hole: 3-5/8" (92 mm)

Template: 1105665-7, required, included

**Notes**

Install this product according to the installation instructions.

Measure your actual product for roughing-in details.