



# Middleton®

## Top-mount Kitchen Sink

### 14708-4

#### Features

- Double (equal) rectangular bowls.
- Four faucet holes.
- Satin deck and luster bowl finishes.
- SilentShield® sound-absorption technology offers quieter performance.
- 14708-4 = single pack.
- F14708-4 = 40 per pack.
- 33" (838 mm) x 22" (559 mm) x 8" (203 mm)

#### Material

- 20-gauge stainless steel.

#### Installation

- Top-mount.

#### Recommended Accessories

- 11861 Sink Rack
- 7400 Duostrainer™ Sink Strainer
- K-6139 Sponge Caddy

#### Components

- Product includes:
- 1150001 Installation Clips

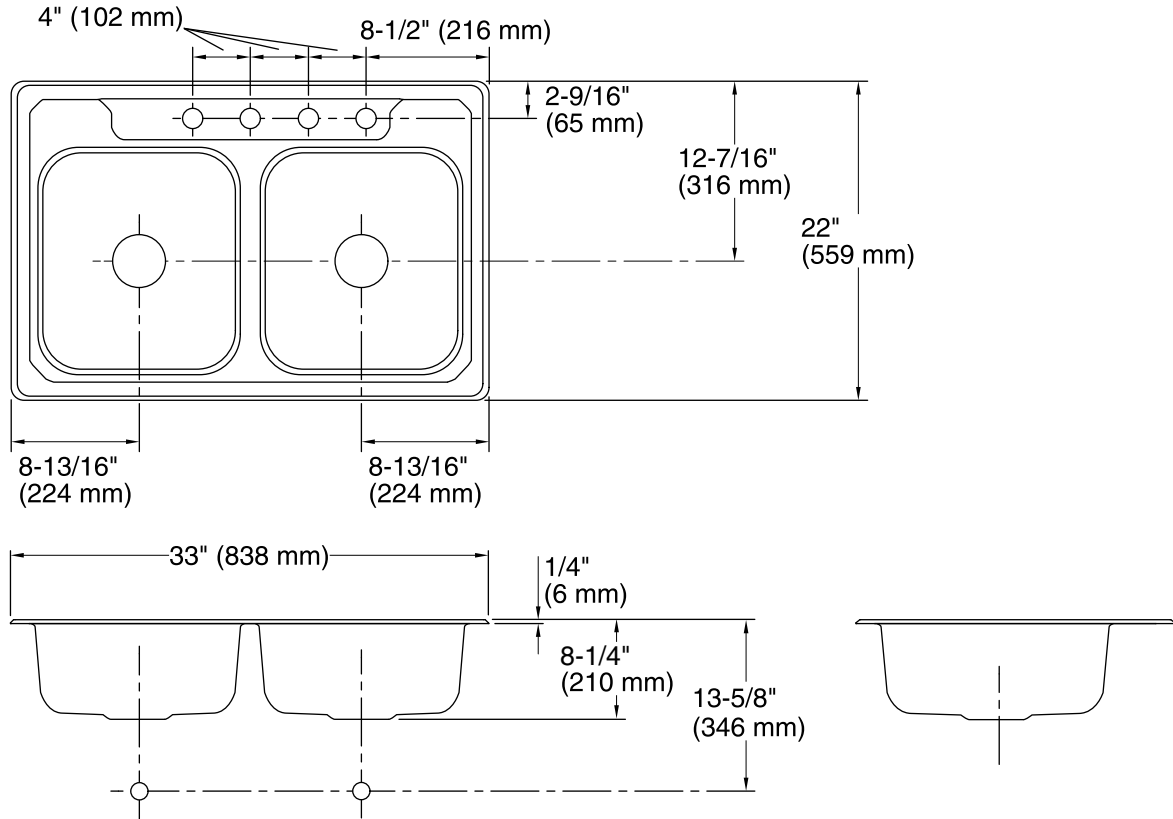


#### Codes/Standards

ASME A112.19.3/CSA B45.4

#### STERLING® Warranty - Stainless Steel Sinks

See website for detailed warranty information.



### Technical Information

All product dimensions are nominal.

Bowl configuration: Double equal

Installation: Top-mount

Cutout: Top-mount, 32-1/2" x 21-1/2" (826 mm x 546 mm) with 1/2" (13 mm) radius corners

Min. base cabinet width: 36" (914 mm)

Bowl area (Left)  
Length: 14" (356 mm)  
Width: 15-1/8" (384 mm)  
Bowl depth: 8" (203 mm)  
Water depth: 8" (203 mm)

Bowl area (Right)  
Length: 14" (356 mm)  
Width: 15-1/8" (384 mm)  
Bowl depth: 8" (203 mm)  
Water depth: 8" (203 mm)

Number of deck holes: 4

Faucet hole(s): 1-7/16" (37 mm)

Drain hole: 3-5/8" (92 mm)

### Notes

Install this product according to the installation instructions.

Measure your actual product for roughing-in details.