



Middleton®

Top-mount Kitchen Sink

14711-4

Features

- Rectangular bowl.
- Four faucet holes.
- Satin deck and luster bowl finishes.
- SilentShield® sound-absorption technology offers quieter performance.
- 14711-4 = single pack.
- F14711-4 = 40 per pack.
- 25" (635 mm) x 22" (559 mm) x 8" (203 mm)

Material

- 20-gauge stainless steel.

Installation

- Top-mount.

Recommended Accessories

7400 Duostrainer™ Sink Strainer

Components

Product includes:

1150001 Installation Clips

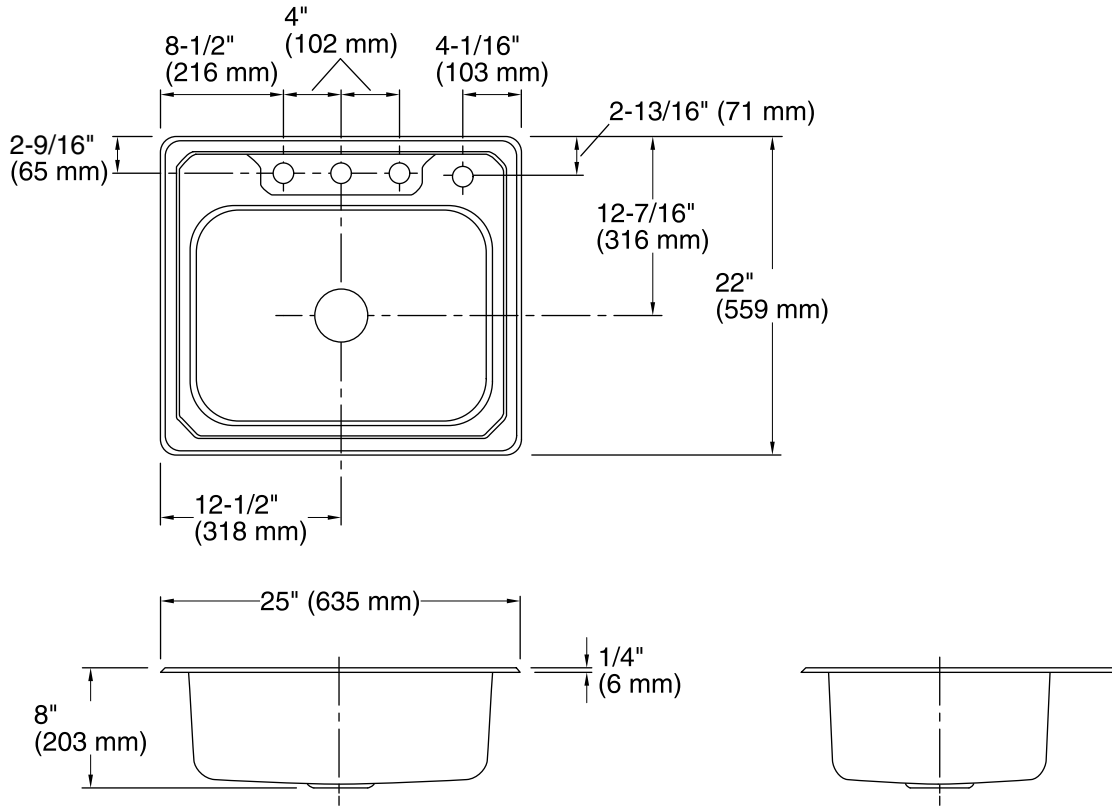


Codes/Standards

ASME A112.19.3/CSA B45.4

STERLING® Warranty - Stainless Steel Sinks

See website for detailed warranty information.



Technical Information

All product dimensions are nominal.

- Bowl configuration: Single
- Installation: Top-mount
- Cutout: Top-mount, 24-1/2" x 21-1/2" (622 mm x 546 mm) with 1/2" (13 mm) radius corners
- Min. base cabinet width: 27" (686 mm)
- Bowl area (Only)
 - Length: 21" (533 mm)
 - Width: 15-1/4" (387 mm)
 - Bowl depth: 8" (203 mm)
 - Water depth: 8" (203 mm)
- Number of deck holes: 4
- Faucet hole(s): 1-7/16" (37 mm)
- Drain hole: 3-5/8" (92 mm)

Notes

- Install this product according to the installation instructions.
- Measure your actual product for roughing-in details.