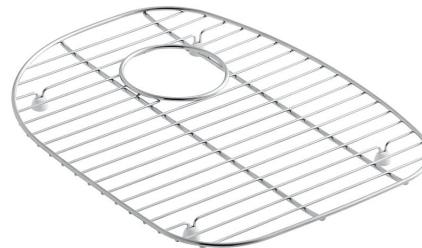


Features

- For left-hand bowl.
- Protects bottom of bowl from surface damage.
- Features a drain hole opening allowing the drain to be used without removing the rack.
- Non-abrasive plastic feet will not harm the bowl finish.
- For use with Sterling models 11723 (larger bowl) and 11724 (larger bowl).
- 13-1/8" (333 mm) x 16-1/2" (419 mm)

Material

- Stainless Steel construction.



Codes/Standards


None Applicable

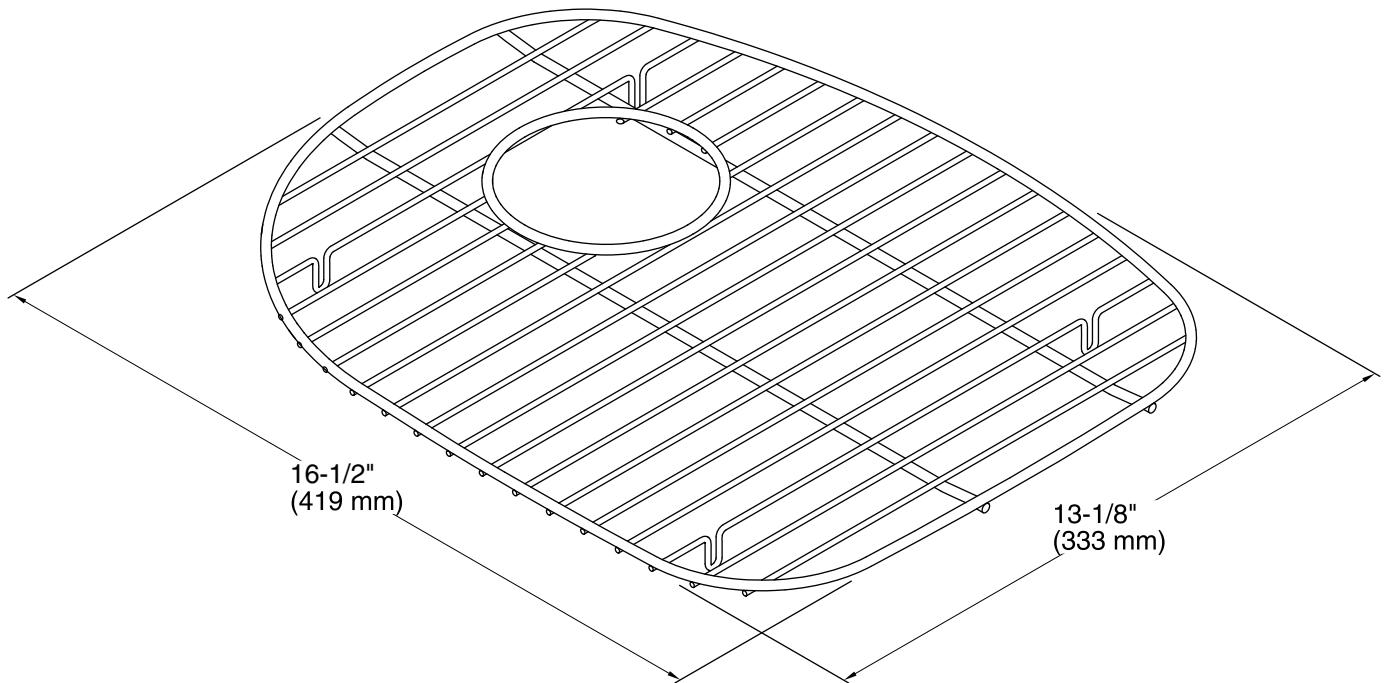
STERLING® Warranty - Stainless Steel Sinks

KOHLER® One-Year Limited Warranty
See website for detailed warranty information.

Available Color/Finishes

Color tiles intended for reference only.

Color	Code	Description
	ST	Stainless Steel



Technical Information

All product dimensions are nominal.