

Features

- Under-mount rimless design.
- Single bowl.
- SilentShield® sound-absorption technology offers quieter performance.
- Wide under-mount lip.
- Bowl depth 5-5/8".
- Sink is available in single or multi-packs.
- 24738 = Single pack.
- J24738 = 3 per pack.
- F24738 = 40 per pack.
- T24738 = 20 per pack.

Material

- 18-gauge stainless steel.

Optional Accessories

7400 Duostrainer™ Sink Strainer



ADA

Codes/Standards

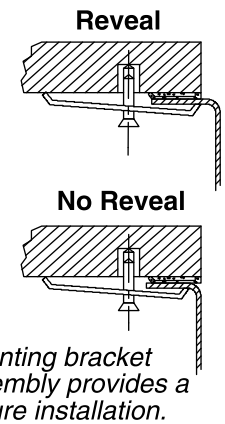
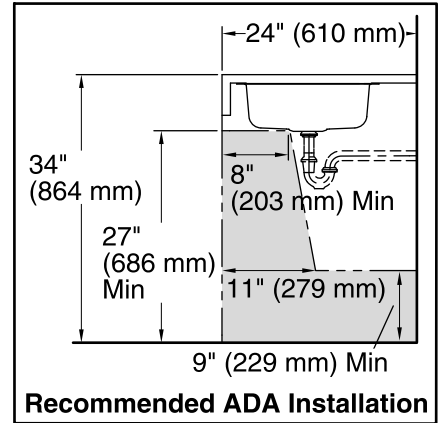
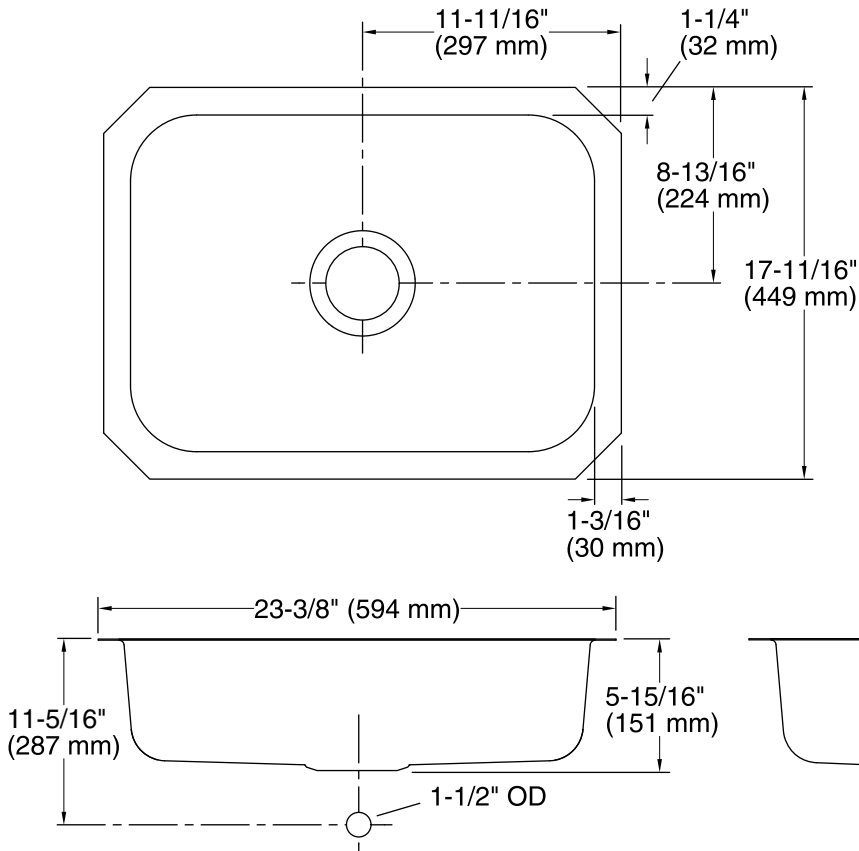
ASME A112.19.3/CSA B45.4

ADA

ICC/ANSI A117.1

STERLING® Warranty - Stainless Steel Sinks

See website for detailed warranty information.



Technical Information

All product dimensions are nominal.

- Bowl configuration: Single
- Installation: Under-mount
- Bowl area (Only)
 - Length: 21" (533 mm)
 - Width: 15-1/4" (387 mm)
 - Bowl depth: 5-5/8" (143 mm)
 - Water depth: 5-5/8" (143 mm)
- Template: 1064257-7, required, included

Notes

- Install this product according to the installation instructions.
- ADA compliant when installed to the specific requirements of these regulations.