



Sanibel™

Drop-in bathroom sink
442001

Features

- Single faucet hole.
- Center drain and overflow.

Material

- Grade A vitreous china with a hard, glossy finish.

Installation

- Drop-in.

Recommended Products/Accessories

- K-23726 Drain treatment
- K-23725 Cast iron cleaner



ADA

Codes/Standards



ASME A112.19.2/CSA B45.1
ADA
ICC/ANSI A117.1

STERLING® Warranty - Toilets and Lavatories

See website for detailed warranty information.

Available Colors/Finishes

Color tiles intended for reference only.

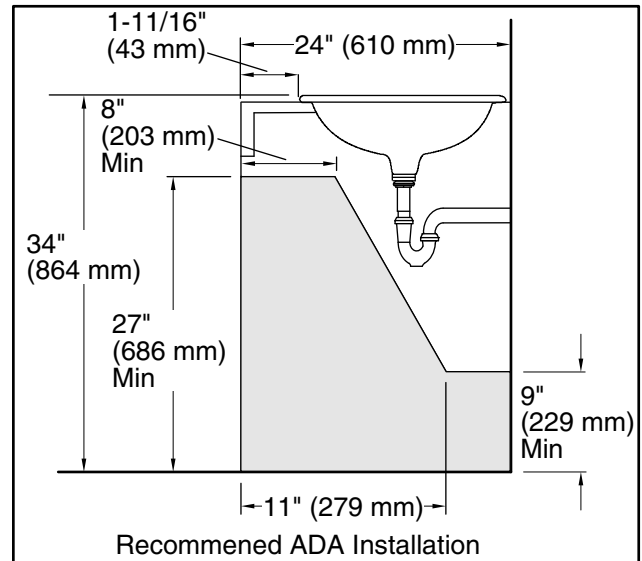
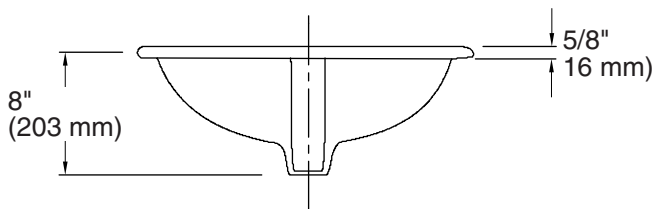
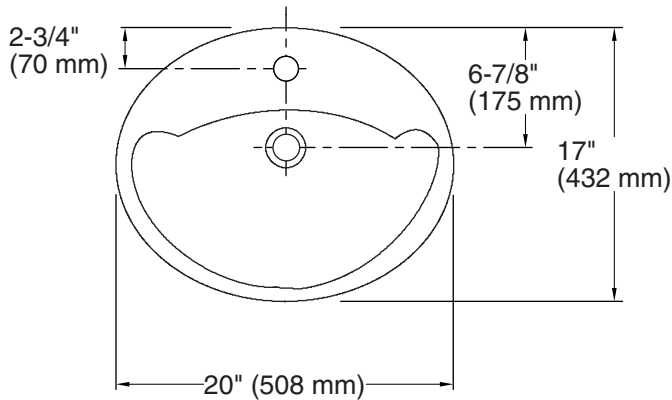
Color	Code	Description
	0	White
	96	KOHLER Biscuit

1-800-STERLING (1-800-783-7546)

Kohler Co. reserves the right to make revisions without notice to product specifications.

For the most current Specification Sheet, go to www.sterlingplumbing.com.

5-29-2021 19:17 - US/CA



Technical Information

All product dimensions are nominal.

Bowl configuration:	Single
Installation:	Drop-in
Bowl area (Only):	Length: 17" (432 mm) Width: 10-7/8" (276 mm) Water depth: 4-7/8" (124 mm)
Number of deck holes:	1
Faucet hole(s):	1-3/16" (30 mm)
Drain hole:	1-3/4" (44 mm)
Template:	1003767-7, required, included

Notes

Install this product according to the installation instructions.

Measure your actual product for roughing-in details.

ADA compliant when installed to the specific requirements of these regulations.