



Stinson®

Under-mount Bathroom Sink

442007-U

Features

- Rectangular basin.
- With overflow.
- No faucet holes; requires wall- or counter-mount faucet.
- 20-1/4" (508 mm) x 14" (355 mm) x 7-1/8" (181 mm)

Material

- Vitreous china.

Installation

- Under-mount.



ADA

Codes/Standards

ASME A112.19.2/CSA B45.1

ADA

ICC/ANSI A117.1



STERLING® Warranty - Toilets and Lavatories

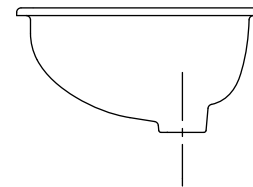
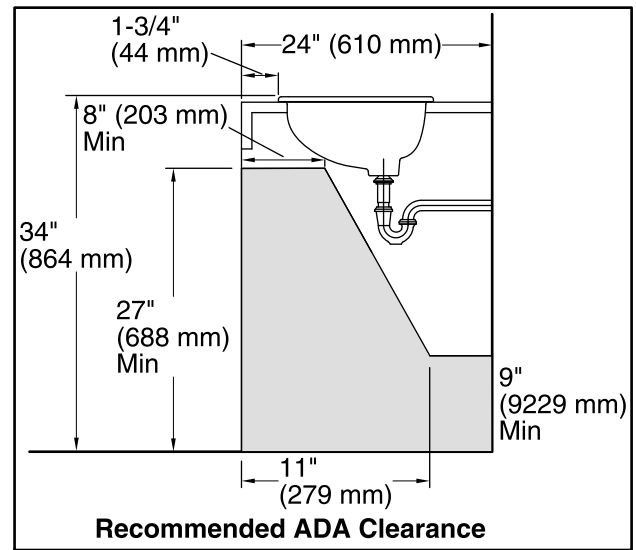
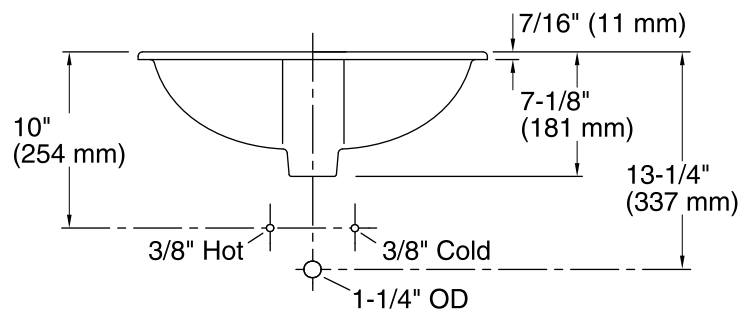
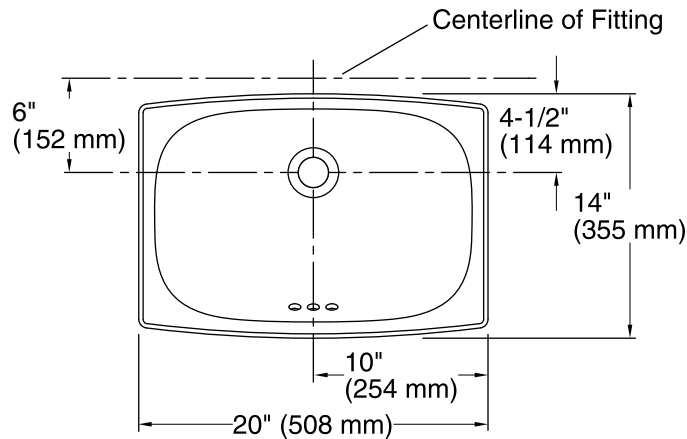
See website for detailed warranty information.

Available Color/Finishes

Color tiles intended for reference only.

Color	Code	Description
-------	------	-------------

	0	White
	96	KOHLER Biscuit



Technical Information

All product dimensions are nominal.

Bowl configuration:	Single
Installation:	Under-mount
Bowl area (Only)	Length: 18-3/16" (462 mm) Width: 12-3/16" (310 mm) Water depth: 5" (127 mm)
Drain hole:	1-11/16" (43 mm)

Notes

Install this product according to the installation instructions.

Measure your actual product for roughing-in details.

ADA compliant when installed to the specific requirements of these regulations.