

Features

- Complete door installs within minutes.
- Pre-installed rollers for smooth, silent operation.
- Frameless design highlights showering area.
- Frameless, 1/4" (6 mm) thick tempered glass.
- Center-guided mechanism for smooth, quiet sliding action and easy cleaning.
- CleanCoat® technology creates a barrier between the water and glass to help keep your shower door looking new.
- Wide variety of finishes and glass patterns.
- Inside and outside towel bars complete the look of this door.

Material

- Anodized aluminum prevents rusting or corrosion.
- Tempered glass ensures maximum safety and durability.

Installation

- Out-of-plumb adjustability allows for simpler installation.
- Can be installed to open to the left or right.
- Quick Install® compression fit technology means no cutting or drilling needed.

Components

Additional included component/s: Hardware kit, and hex wrench.



Codes/Standards

ANSI Z97.1 (Tempered Glass)
CPSC 16CFR 1201

STERLING® Warranty - Bath and Shower Doors

See website for detailed warranty information.

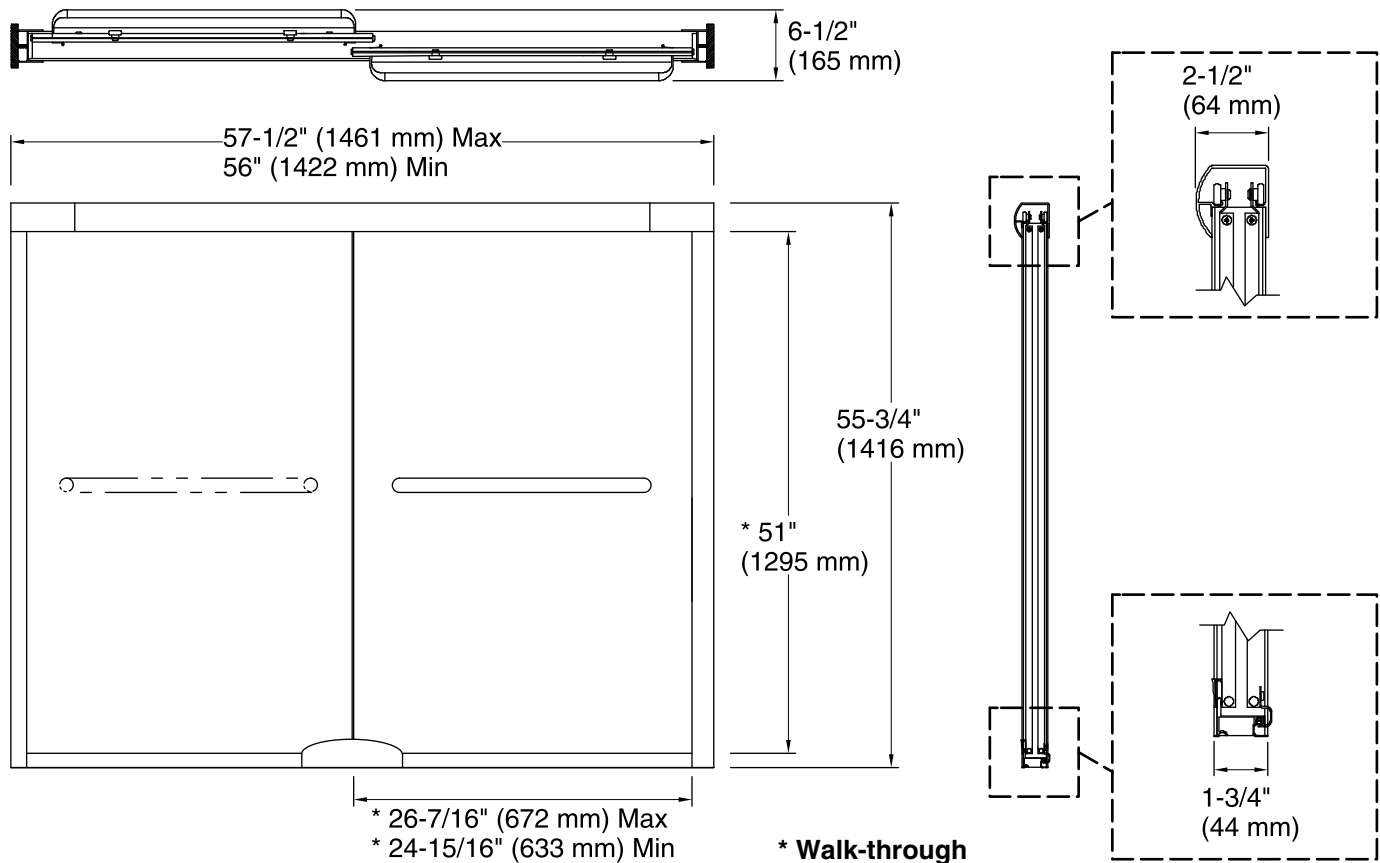
Available Color/Finishes

Color tiles intended for reference only.

Color	Code	Description
	DR	Deep Bronze
	N	Nickel
	S	Silver

Available Glass Options

Code	Description
	Clear
	Lake Mist™



Technical Information

All product dimensions are nominal.

- Installation type: For bath installation
- Opening Width - Min: 56" (1422 mm)
- Opening Width - Max: 57-1/2" (1461 mm)
- Walk-through - Min: 24-15/16" (633 mm)
- Walk-through - Max: 26-7/16" (672 mm)
- Glass thickness: 1/4" (6 mm)
- Glass coating: CleanCoat®

Notes

- Install this product according to the installation guide.
- The vertical opening should be a minimum of 57-3/4" (1467 mm) to allow for installation clearance.