



A KOHLER COMPANY

# Advantage™ 48" Seated Shower 62030100



## Features

- Modular design allows it to be moved around corners and through doorways with ease.
- Durable swirl gloss finish.
- Includes two molded-in corner seats.
- Two shelves and an acrylic towel bar on the back wall.
- 48" (1219 mm) x 34" (864 mm) x 72" (1829 mm) complete unit finished dimensions.

## Material

- Compression molded from our exclusive Vikrell® material.

## Installation

- Tongue-and-groove four piece modular design allows for easy snap together installation.
- Some caulk required for proper installation.

## Recommended Accessories

- 660B-46 Framed Sliding Shower Door
- SP1505D-48 Framed Pivot Shower Door
- SP1506D-48 Framed Pivot Shower Door
- SP5465-45 Frameless Sliding Shower Door
- SP5965-46 Framed Sliding Shower Door
- 80001012 12" Grab Bar
- 80001018 18" Grab Bar
- 80001024 24" Grab Bar
- 80011032 32" Grab Bar
- 80001036 36" Grab Bar

## Components

Product includes:

- 62031100 48" Seated Shower Base
- 62034100 48" Shower Wall Set



## Codes/Standards



- CSA B45.5/IAPMO Z124
- ASTM E162
- ASTM E662
- Greenguard UL 2818 - Gold
- HUD, UM Bulletin 73

## Warranty – Bathing Fixtures (and) Kitchen and Utility Sinks Made of Solid Vikrell® Material

See website for detailed warranty information.

## Available Color/Finishes

*Color tiles intended for reference only.*

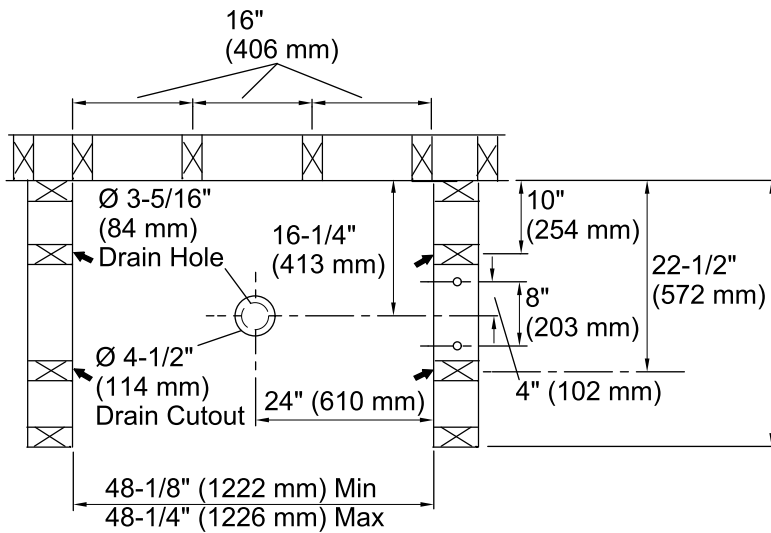
Color	Code	Description
	0	White
	96	KOHLER Biscuit


USA/Canada: 1-800-STERLING (1-800-783-7546)

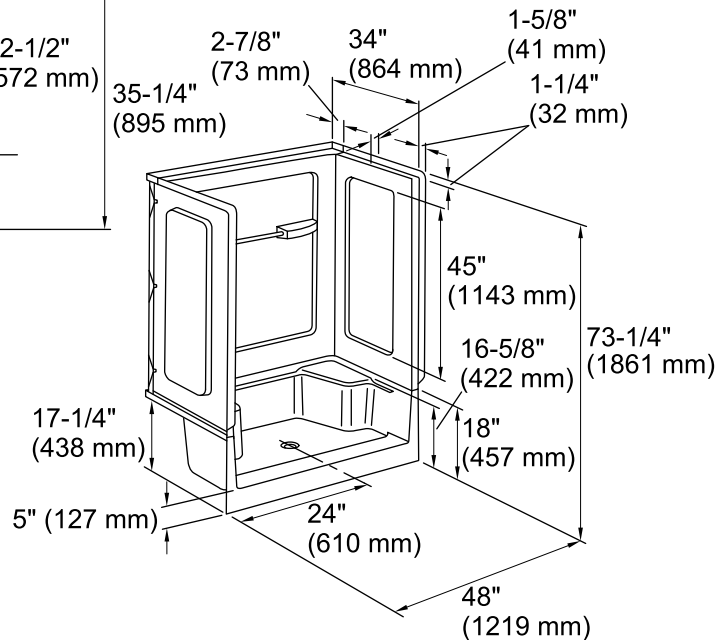
Kohler Co. reserves the right to make revisions without notice to product specifications.

For the most current Specification Sheet, go to [www.sterlingplumbing.com](http://www.sterlingplumbing.com).

12-1-2017 08:31



 Recommended Support Clip Locations



### Technical Information

All product dimensions are nominal.

Installation: 3-Wall Alcove, Seated Alcove

Drain location: Center

Minimum flat for door: 2-5/8" (67 mm)

Threshold height: 5" (127 mm)

Door height required: 67" (1702 mm)

Door width required: 44-3/4" (1137 mm)

### Notes

Install this product according to the installation instructions.

Studs should be positioned roughly as shown.

Double studding is recommended for pivot shower door installations.