



**Features**

- Tongue-and-groove four piece modular design allows for easy snap together installation.
- Modular design allows it to be moved around corners and through doorways with ease.
- Durable swirl gloss finish.
- Includes folding transfer seat with stainless steel support.
- Includes factory installed stainless steel grab bars.
- 1/2" (13 mm) threshold with 1/2" (13 mm) finished floor.
- 39-3/8" (1000 mm) x 39-3/8" (1000 mm) x 72" ( 1829 mm) complete unit finished dimensions.

**Material**

- Compression molded from our exclusive Vikrell® material.

**Installation**

- Caulk required for proper installation.

**Components**

Product includes:

- 62055125 39" Shower End Wall Set with Seat and Grab Bar
- 62051100 39" Shower Base
- 62052123 39" Shower Back Wall with Grab Bar



**Codes/Standards**

- CSA B45.5/IAPMO Z124
- ASTM E162
- ASTM E662
- Greenguard UL 2818 - Gold
- ICC/ANSI A117.1
- HUD, UM Bulletin 73



**Warranty – Bathing Fixtures (and) Kitchen and Utility Sinks Made of Solid Vikrell® Material**

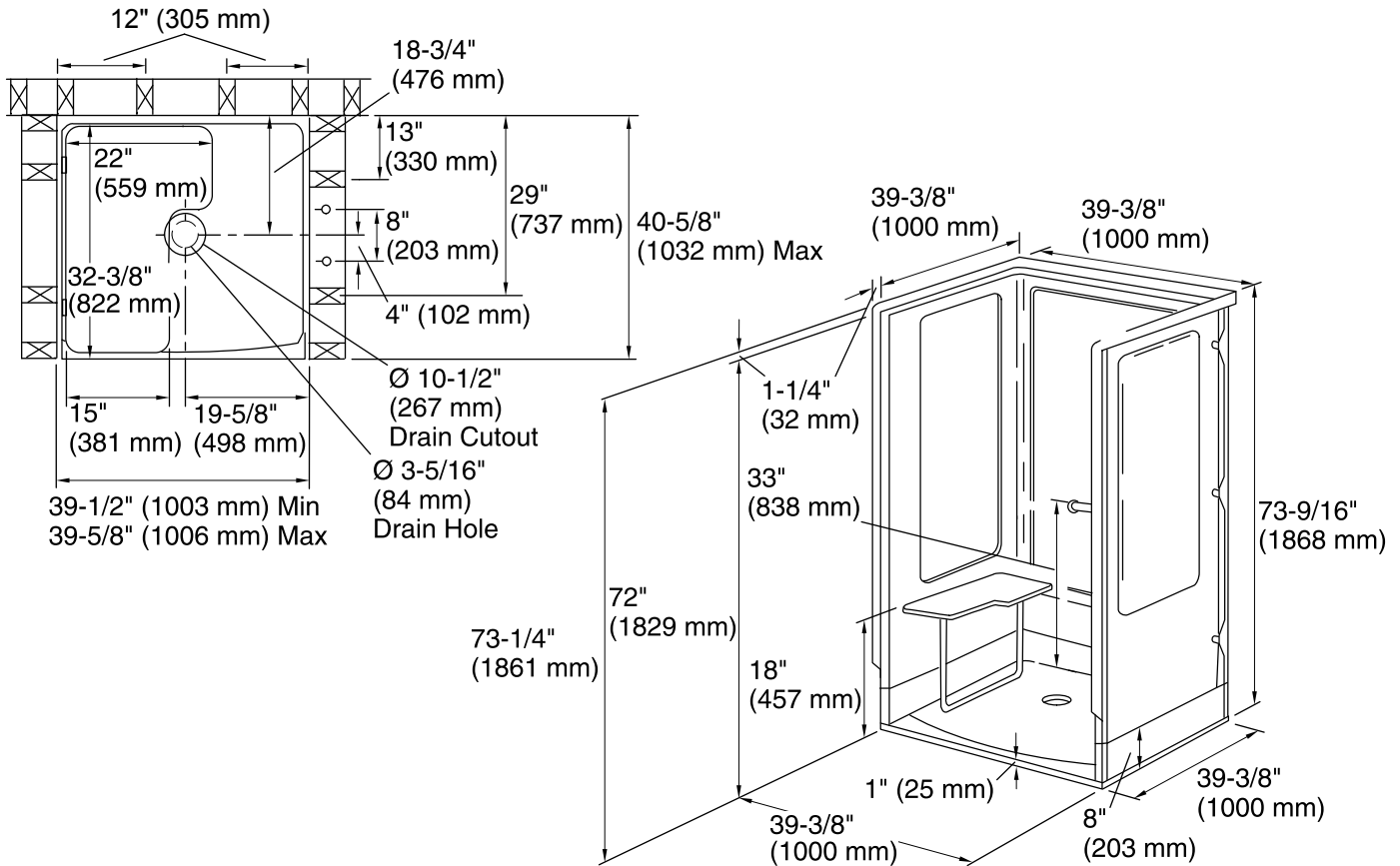
- STERLING® Warranty - Grab Bars**
- STERLING® Warranty - Bathing & Showering Seats**

See website for detailed warranty information.

**Available Color/Finishes**

*Color tiles intended for reference only.*

Color	Code	Description
	0	White
	96	KOHLER Biscuit



**Technical Information**

All product dimensions are nominal.  
 Installation: 3-Wall Alcove  
 Drain location: Center  
 Threshold height: 1/2" (13 mm)

**Notes**

Install this product according to the installation instructions.  
 1/2" minimum finished floor thickness required.  
 Studs should be positioned as shown.  
 Backer boards and fasteners protrude beyond the back wall 1-1/2" (38 mm). If installing this product against wall board, 1-1/2" (38 mm) furring strips installed over the wall board are recommended. The stud pocket depth of 40-5/8" (1032 mm) will need to be increased by the combined thickness of the wall board and furring strips.  
 Drain cutout in subfloor to be 10-1/2" (267 mm) per rough-in illustration as shown to allow the backside of the drain to sit below the subfloor surface.