



Features

- Modular design allows it to be moved around corners and through doorways with ease.
- Durable high gloss finish.
- Convenient shelves provide generous storage space.
- Shaving ledge/foot rest for added comfort.
- Realistic tile wall surround.
- 36" (914 mm) x 34" (864 mm) x 75-3/4" (1926 mm) complete unit finished dimensions.

Material

- Compression molded from our exclusive Vikrell® material.

Installation

- Tongue-and-groove four piece modular design allows for easy snap together installation.
- Some caulk required for proper installation.



Recommended Accessories

- 1500D-36 Framed Pivot Shower Door
- 1505D-36 Framed Pivot Shower Door
- 1507D-36 Framed Pivot Shower Door
- 1530D-36 Framed Pivot Shower Door
- 1535D-36 Framed Pivot Shower Door
- 6305-34 Frameless Pivot Shower Door
- 6505-33 Framed Pivot Shower Door
- 6506-33 Framed Pivot Shower Door

Components

- Product includes:
- 72105100 36" Shower End Wall Set
 - 72101100 36" Shower Base
 - 72102100 36" Shower Back Wall

Codes/Standards



- CSA B45.5/IAPMO Z124
- ASTM E162
- ASTM E662
- Greenguard UL 2818 - Gold
- HUD, UM Bulletin 73

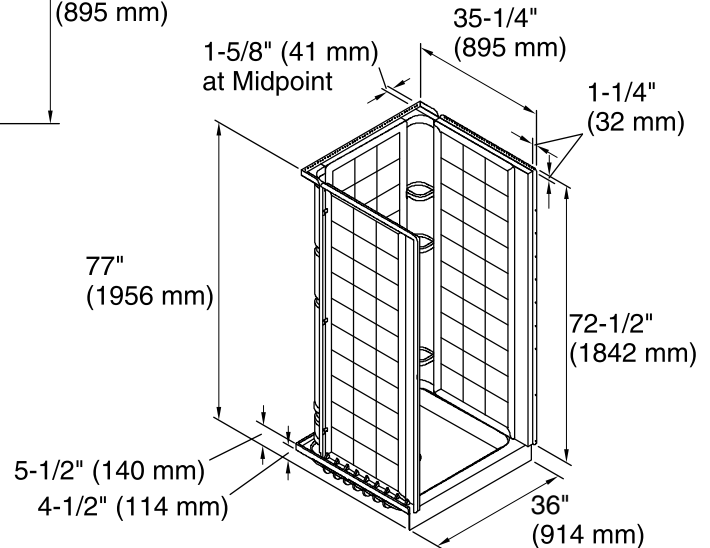
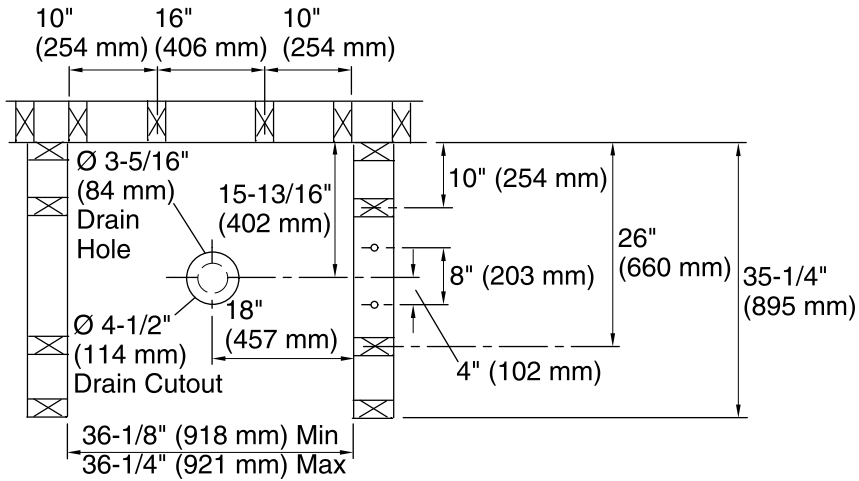
Warranty – Bathing Fixtures (and) Kitchen and Utility Sinks Made of Solid Vikrell® Material

See website for detailed warranty information.

Available Color/Finishes

Color tiles intended for reference only.

Color	Code	Description
	0	White
	96	KOHLER Biscuit



Technical Information

All product dimensions are nominal.

Installation: 3-Wall Alcove

Drain location: Center

Minimum flat for door: 3" (76 mm)

Threshold height: 4-1/2" (114 mm)

Door height required: 70-1/2" (1791 mm)

Door width required: 32-5/8" (829 mm)

Notes

Install this product according to the installation instructions.

Studs should be positioned roughly as shown.

Double studding is recommended for pivot shower door installations.