



Features

- Reduced 3.5" step-over threshold height creates a safe entrance and exit for aging population.
- Durable high gloss finish.
- 36" (914 mm) x 36" (914 mm) x 3-1/2" (89 mm) unit finished dimensions.

Material

- Compression molded from our exclusive Vikrell® material.

Installation

- Suitable for tile down application.



Codes/Standards



CSA B45.5/IAPMO Z124
ASTM E162
ASTM E662
Greenguard UL 2818 - Gold
HUD, UM Bulletin 73

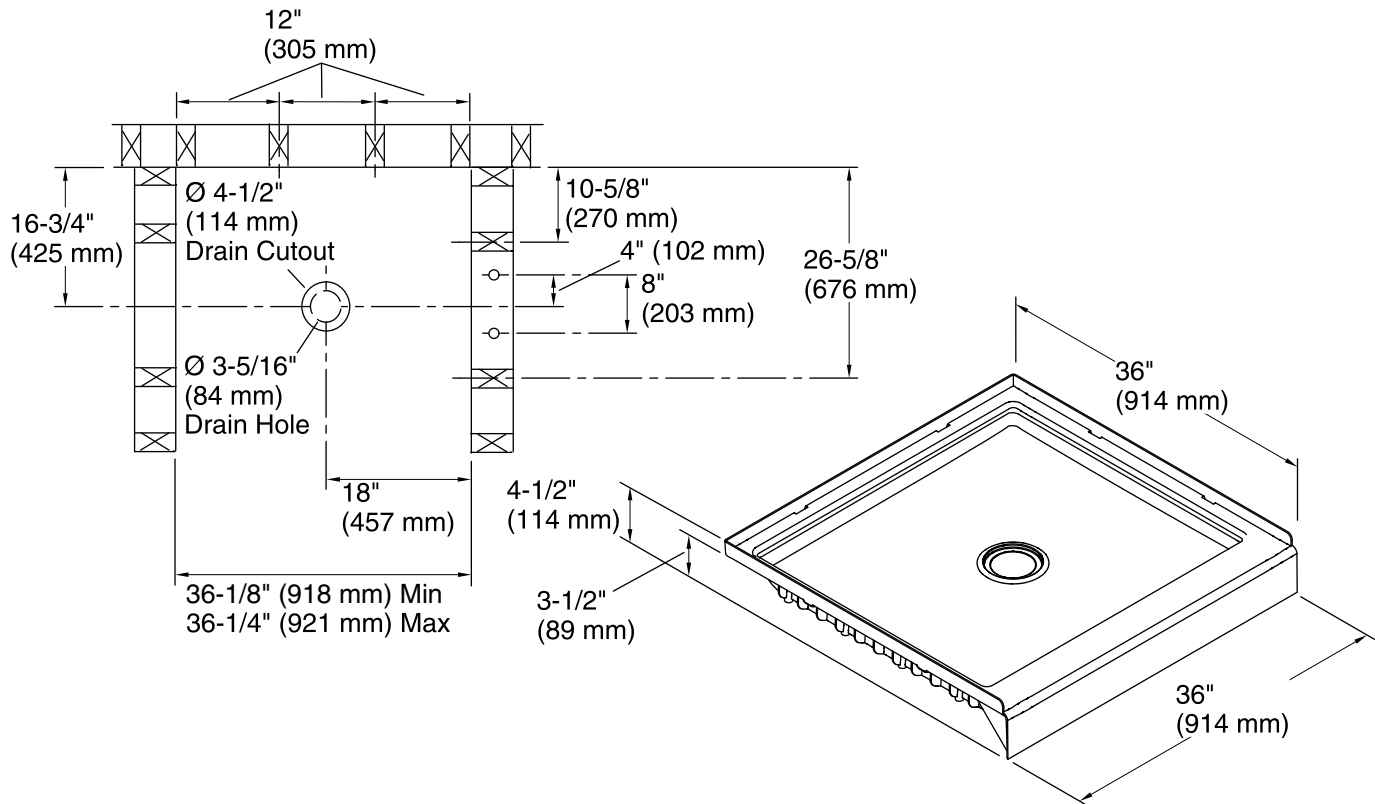
Warranty – Bathing Fixtures (and) Kitchen and Utility Sinks Made of Solid Vikrell® Material

See website for detailed warranty information.

Available Color/Finishes

Color tiles intended for reference only.

Color	Code	Description
	0	White
	96	KOHLER Biscuit



Technical Information

All product dimensions are nominal.

Installation:	3-Wall Alcove
Drain location:	Center
Basin area, bottom:	27-13/16" x 30-5/16" (706 mm x 770 mm)
Weight:	25 lbs (11.3 kg)
Minimum flat for door:	3" (76 mm)
Threshold height:	3-1/2" (89 mm)

Notes

Install this product according to the installation instructions.

Studs should be positioned as shown.

Double studding is recommended for pivot shower door installations.