



Features

- Modular design allows it to be moved around corners and through doorways with ease.
- Durable high gloss finish.
- Convenient shelves provide generous storage space.
- Shaving ledge/foot rest for added comfort.
- Curve wall design for a smooth look and feel.
- Wall surround includes backer boards for future grab bar installation.
- End drain makes it perfect for replacing an existing bath without moving the drain location.

Material

- Compression molded from our exclusive Vikrell material.

Installation

- Tongue-and-groove four piece modular design allows for easy snap together installation.
- Dry-Block seal and channeled water containment system create watertight seams.
- 60" (1524 mm) x 32" (812 mm) x 74-3/4" (1899 mm) complete unit finished dimensions.

Components

Product includes:

- 72181120 60" x 32" End Drain Shower Base
- 72232106 60" Back Wall w/Backer Boards
- 72185106 32" Shower End Wall Set w/Backer Board



Codes/Standards

CSA B45.5/IAPMO Z124
ASTM E162
ASTM E662
Greenguard UL 2818 - Gold
HUD, UM Bulletin 73

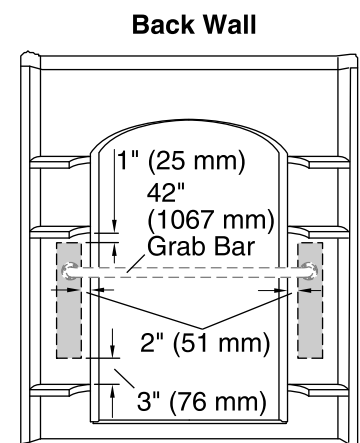
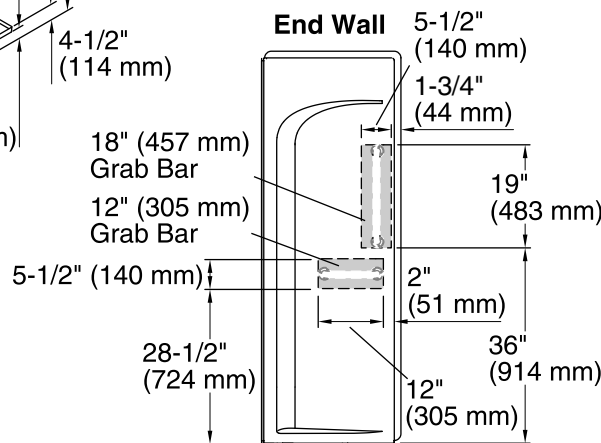
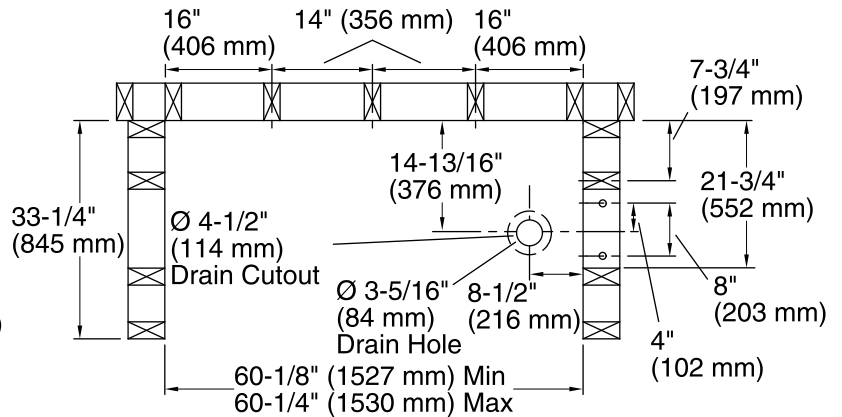
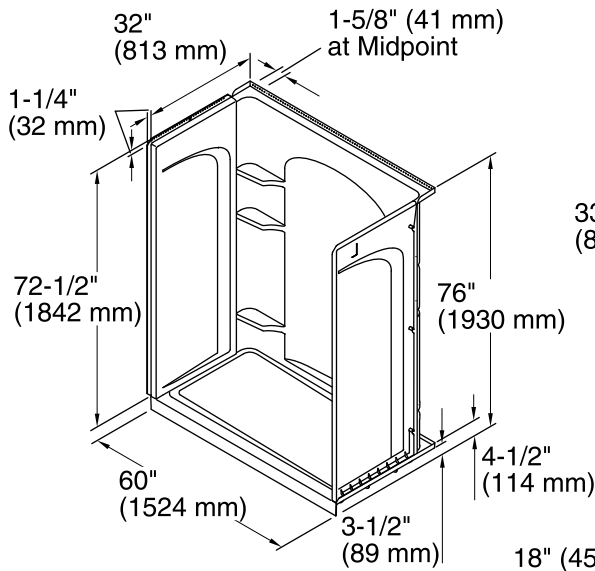
Warranty – Bathing Fixtures (and) Kitchen and Utility Sinks Made of Solid Vikrell® Material

See website for detailed warranty information.

Available Color/Finishes

Color tiles intended for reference only.

Color	Code	Description
	0	White
	96	KOHLER Biscuit



Note: Right and left end walls are the same, only mirrored.

Backer board locations

Technical Information

All product dimensions are nominal.

- Installation: 3-Wall Alcove
- Drain location: Right
- Drain hole diameter: 3-5/16" (84 mm)
- Weight: 125.4 lbs (56.9 kg)
- Minimum flat for door: 3" (76 mm)
- Threshold height: 3-1/2" (89 mm)
- Door height required: 70-1/2" (1791 mm)
- Door width required: 56-5/8" (1438 mm)

Notes

- Install this product according to the installation instructions.
- Studs should be positioned as shown.
- Double studding is recommended for pivot shower door installations.