



Ensemble™

60" x 32" Shower Receptor

72181110



Features

- Perfect size for replacing an existing bath. Easy to install. Drain is located in the same position as existing bath
- Durable high-gloss finish
- 60" x 32" x 3.5" unit finished dimensions

Recommended Accessories

- 80001012 12" Grab Bar
- 80001018 18" Grab Bar



Codes/Standards



CSA B45.5/IAPMO Z124
Greenguard UL 2818 - Gold
HUD, UM Bulletin 73

Warranty – Bathing Fixtures (and) Kitchen and Utility Sinks Made of Solid Vikrell® Material

See website for detailed warranty information.

Available Color/Finishes

Color tiles intended for reference only.

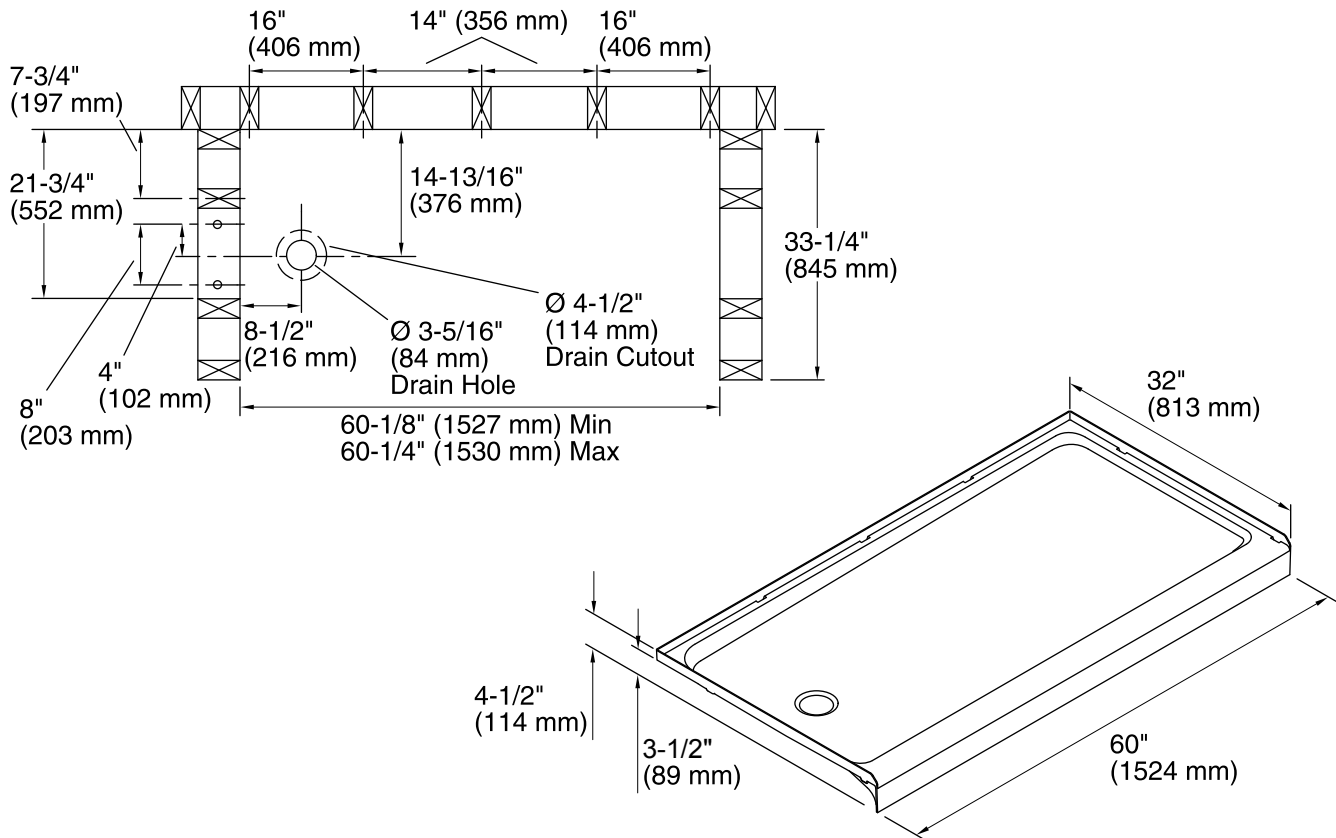
Color	Code	Description
	0	White
	96	KOHLER Biscuit

USA/Canada: 1-800-STERLING (1-800-783-7546)

Kohler Co. reserves the right to make revisions without notice to product specifications.

For the most current Specification Sheet, go to www.sterlingplumbing.com.

12-3-2017 04:03



Technical Information

All product dimensions are nominal.

Installation: 3-Wall Alcove
 Drain location: Left
 Drain hole diameter: 3-5/16" (84 mm)
 Weight: 35.6 lbs (16.1 kg)
 Minimum flat for door: 3" (76 mm)
 Threshold height: 3-1/2" (89 mm)

Notes

Install this product according to the installation instructions.
 Studs should be positioned roughly as shown.
 Double studding is recommended for pivot shower door installations.