



Features

- Modular design allows it to be moved around corners and through doorways with ease.
- Durable high gloss finish.
- Convenient shelves provide generous storage space.
- Shaving ledge/foot rest for added comfort.
- Curve wall design for a smooth look and feel.
- 36" (914 mm) x 34" (864 mm) x 75-3/4" (1926 mm) complete unit finished dimensions.

Material

- Compression molded from our exclusive Vikrell® material.

Installation

- Tongue-and-groove four piece modular design allows for easy snap together installation.
- Some caulk required for proper installation.

Recommended Accessories

- 1500D-36 Framed Pivot Shower Door
- 1505D-36 Framed Pivot Shower Door
- 1507D-36 Framed Pivot Shower Door
- 1530D-36 Framed Pivot Shower Door
- 1535D-36 Framed Pivot Shower Door
- 6305-34 Frameless Pivot Shower Door
- 6505-33 Framed Pivot Shower Door
- 6506-33 Framed Pivot Shower Door

Components

Product includes:

- 72202100 36" Shower Back Wall
- 72101100 36" Shower Base
- 72205100 36" Shower End Wall Set



Codes/Standards



- CSA B45.5/IAPMO Z124
- ASTM E162
- ASTM E662
- Greenguard UL 2818 - Gold

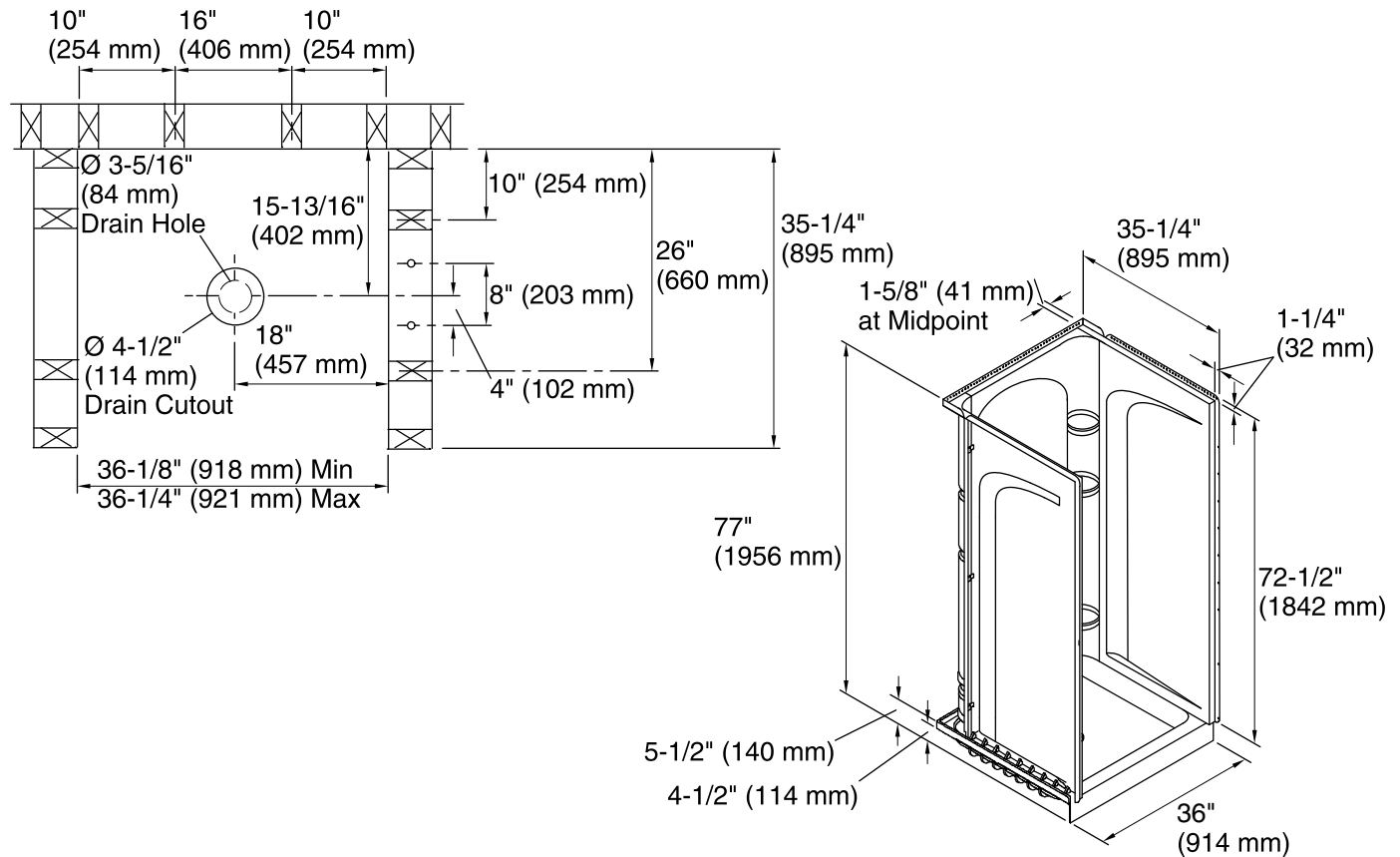
Warranty – Bathing Fixtures (and) Kitchen and Utility Sinks Made of Solid Vikrell® Material

See website for detailed warranty information.

Available Color/Finishes

Color tiles intended for reference only.

| Color | Code | Description |
|--|------|----------------|
|  | 0 | White |
|  | 96 | KOHLER Biscuit |



Technical Information

All product dimensions are nominal.

Installation: 3-Wall Alcove

Drain location: Center

Minimum flat for door: 3" (76 mm)

Threshold height: 4-1/2" (114 mm)

Door height required: 70-1/2" (1791 mm)

Door width required: 32-5/8" (829 mm)

Notes

Install this product according to the installation instructions.

Studs should be positioned roughly as shown.

Double studding is recommended for pivot shower door installations.