



Ensemble™

42" Curve Shower w/Backer Boards

72210106



Features

- Modular design allows it to be moved around corners and through doorways with ease.
- Durable high gloss finish.
- Convenient shelves provide generous storage space.
- Shaving ledge/foot rest for added comfort.
- Curve wall design for a smooth look and feel.
- 42" (1067 mm) x 34" (864 mm) x 75-3/4" (1926 mm) complete unit finished dimensions.

Material

- Compression molded from our exclusive Vikrell® material.

Installation

- Tongue-and-groove four piece modular design allows for easy snap together installation.
- Wall surround includes backer boards for future grab bar installation.
- Some caulk required for proper installation.

Recommended Accessories

- 1500D-42 Framed Pivot Shower Door
- 1505D-42 Framed Pivot Shower Door
- 1530D-42 Framed Pivot Shower Door
- 1535D-42 Framed Pivot Shower Door
- 5960-43 Framed Sliding Shower Door
- 6305-39 Frameless Pivot Shower Door
- 6505-39 Framed Pivot Shower Door
- 6506-39 Framed Pivot Shower Door
- 80001012 12" Grab Bar
- 80001018 18" Grab Bar
- 80001024 24" Grab Bar
- 80011032 32" Grab Bar
- 80001036 36" Grab Bar

Components

Product includes:

- 72205106 36" Shower End Wall Set w/Backer Boards
- 72111100 42" Shower Base
- 72212106 42" Shower Back Wall w/Backer Boards



Codes/Standards



- CSA B45.5/IAPMO Z124
- ASTM E162
- ASTM E662
- Greenguard UL 2818 - Gold
- HUD, UM Bulletin 73

Warranty – Bathing Fixtures (and) Kitchen and Utility Sinks Made of Solid Vikrell® Material

See website for detailed warranty information.

Available Color/Finishes

Color tiles intended for reference only.

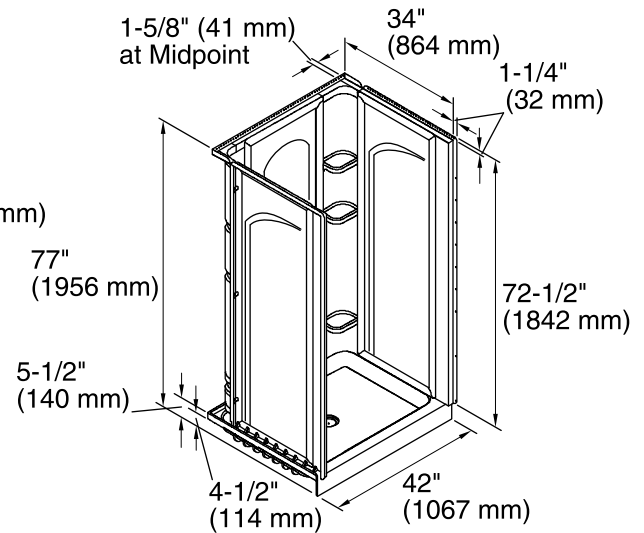
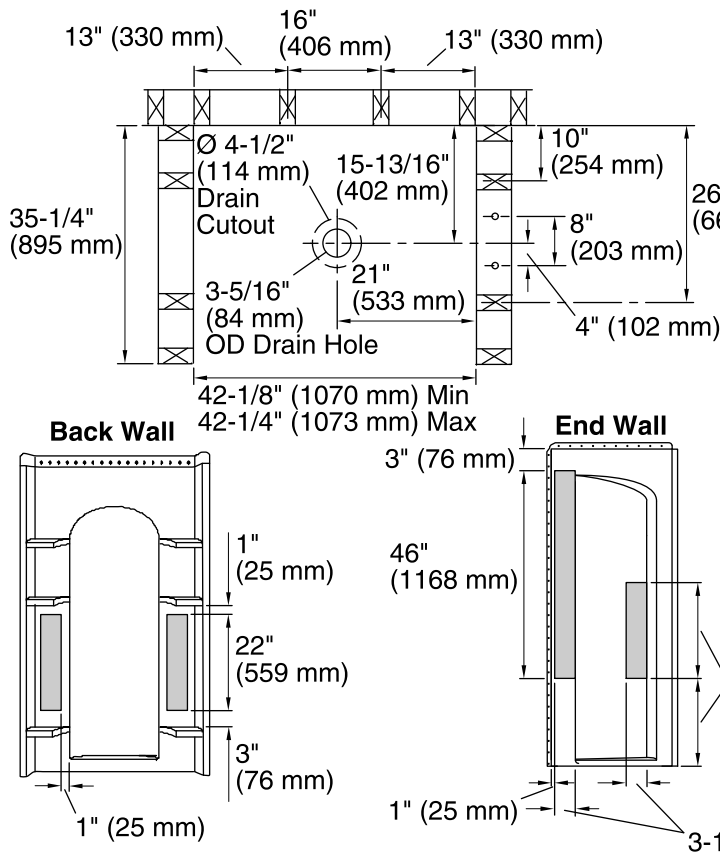
Color	Code	Description
	0	White
	96	KOHLER Biscuit


USA/Canada: 1-800-STERLING (1-800-783-7546)

Kohler Co. reserves the right to make revisions without notice to product specifications.

For the most current Specification Sheet, go to www.sterlingplumbing.com.

12-3-2017 04:03



Note: Right and left end walls are the same, only mirrored.
 Backer board locations

Technical Information

All product dimensions are nominal.
 Installation: 3-Wall Alcove
 Drain location: Center
 Minimum flat for door: 3" (76 mm)
 Threshold height: 4-1/2" (114 mm)
 Door height required: 70-1/2" (1791 mm)
 Door width required: 38-5/8" (981 mm)

Notes

Install this product according to the installation instructions.
 Attach grab bars at the specified backer board locations only.
 Studs should be positioned roughly as shown.
 Double studding is recommended for pivot shower door installations.