



Features

- Modular design allows it to be moved around corners and through doorways with ease.
- Durable high gloss finish.
- Convenient shelves provide generous storage space.
- Geometric back wall design adds visual interest.
- Wall surround includes backer boards for future grab bar installation.
- 36" (914 mm) x 36" (914 mm) x 75-3/4" (192 mm) complete unit finished dimensions.

Material

- Compression molded from our exclusive Vikrell® material.

Installation

- Four-piece modular design with pivot "snap together" installation.
- Caulk-free installation.

Recommended Accessories

- 1500D-36 Framed Pivot Shower Door
- 1505D-36 Framed Pivot Shower Door
- 1507D-36 Framed Pivot Shower Door
- 1530D-36 Framed Pivot Shower Door
- 1535D-36 Framed Pivot Shower Door
- 6305-32 Frameless Pivot Shower Door
- 6305-34 Frameless Pivot Shower Door
- 6505-33 Framed Pivot Shower Door
- 80001012 12" Grab Bar
- 80001018 18" Grab Bar
- 80001024 24" Grab Bar
- 80011032 32" Grab Bar
- 80001036 36" Grab Bar

Components

- Product includes:
- 72245106 36" Shower End Wall Set w/Backer Boards
 - 72241100 36" Shower Base
 - 72242100 36" Shower Back Wall



Codes/Standards

- CSA B45.5/IAPMO Z124
- ASTM E162
- ASTM E662
- Greenguard UL 2818 - Gold
- HUD, UM Bulletin 73

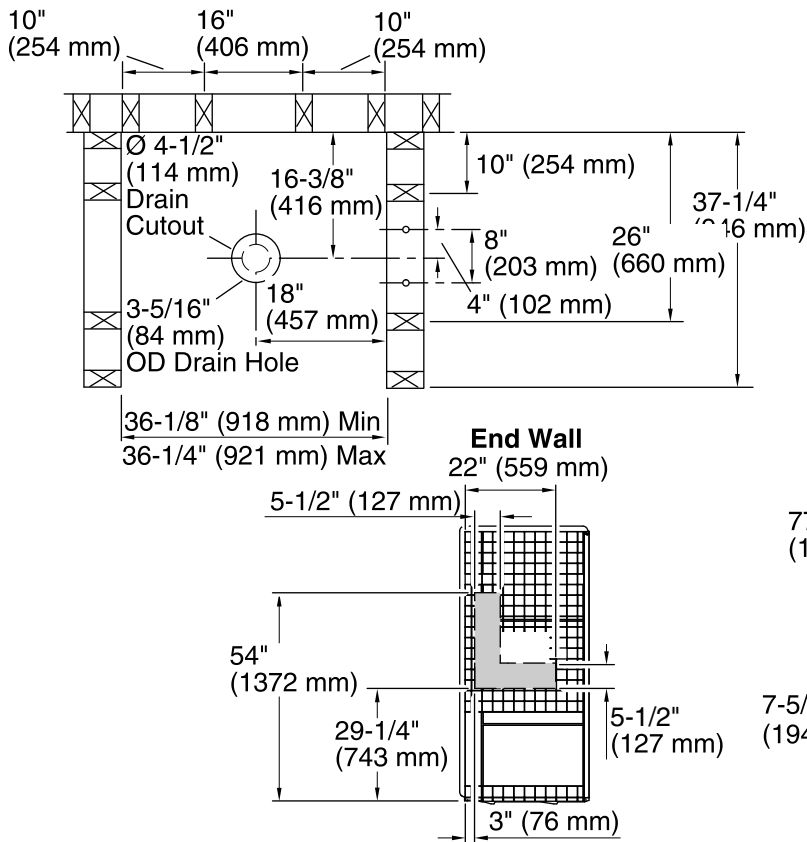
Warranty – Bathing Fixtures (and) Kitchen and Utility Sinks Made of Solid Vikrell® Material

See website for detailed warranty information.

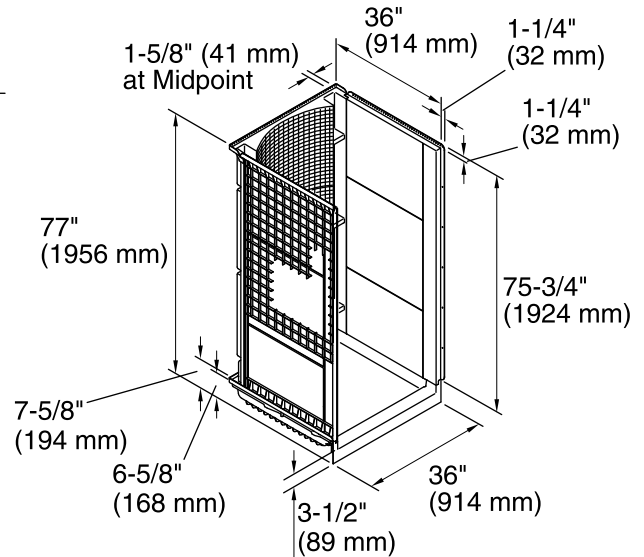
Available Color/Finishes

Color tiles intended for reference only.

Color	Code	Description
	0	White
	96	KOHLER Biscuit



Note: Right end wall is the same as left end wall, only mirrored.
 Backer board locations



Technical Information

All product dimensions are nominal.

Installation: 3-Wall Alcove
 Drain location: Center
 Minimum flat for door: 3-1/4" (83 mm)
 Threshold height: 3-1/2" (89 mm)
 Door height required: 72" (1829 mm)
 Door width required: 32-5/8" (829 mm)

Notes

Install this product according to the installation instructions.
 Studs should be positioned roughly as shown.
 Double studding is recommended for pivot shower door installations.
 Attach grab bars at the specified backer board locations only.