



**Features**

- Modular design allows it to be moved around corners and through doorways with ease.
- Durable high gloss finish.
- Convenient shelves provide generous storage space.
- Geometric back wall design adds visual interest.
- Wall surround includes backer boards for future grab bar installation.
- 60" (1524 mm) x 36" (914 mm) x 75-3/4" (1926 mm) rough-in dimensions include nailing flange.

**Material**

- Compression molded from our exclusive Vikrell® material.

**Installation**

- Four-piece modular design with pivot "snap together" installation.
- Caulk-free installation.

**Recommended Accessories**

- 5375EZ-57 Frameless Sliding Shower Door
- 5475-59 Frameless Sliding Shower Door
- 5477-59 Frameless Sliding Shower Door
- 5970-59 Framed Sliding Shower Door
- 5975-59 Framed Sliding Shower Door
- 5976-59 Framed Sliding Shower Door
- 5977-59 Framed Sliding Shower Door
- 547808-59 Frameless Bypass Shower Door
- 572075-59 Framed Sliding Shower Door
- 581075-59 Frameless Sliding Shower Door
- 80001012 12" Grab Bar
- 80001018 18" Grab Bar
- 80001024 24" Grab Bar
- 80011032 32" Grab Bar
- 80001036 36" Grab Bar
- 80012031 28" Grab Bar

**Components**

- Product includes:
- 72245106 36" Shower End Wall Set w/Backer Boards
  - 72271100 60" Shower Base
  - 72272106 60" Shower Back Wall w/Backers



**Codes/Standards**

- CSA B45.5/IAPMO Z124
- ASTM E162
- ASTM E662
- Greenguard UL 2818 - Gold
- HUD, UM Bulletin 73

**Warranty – Bathing Fixtures (and) Kitchen and Utility Sinks Made of Solid Vikrell® Material**

See website for detailed warranty information.

**Available Color/Finishes**

*Color tiles intended for reference only.*

Color	Code	Description
	0	White
	96	KOHLER Biscuit

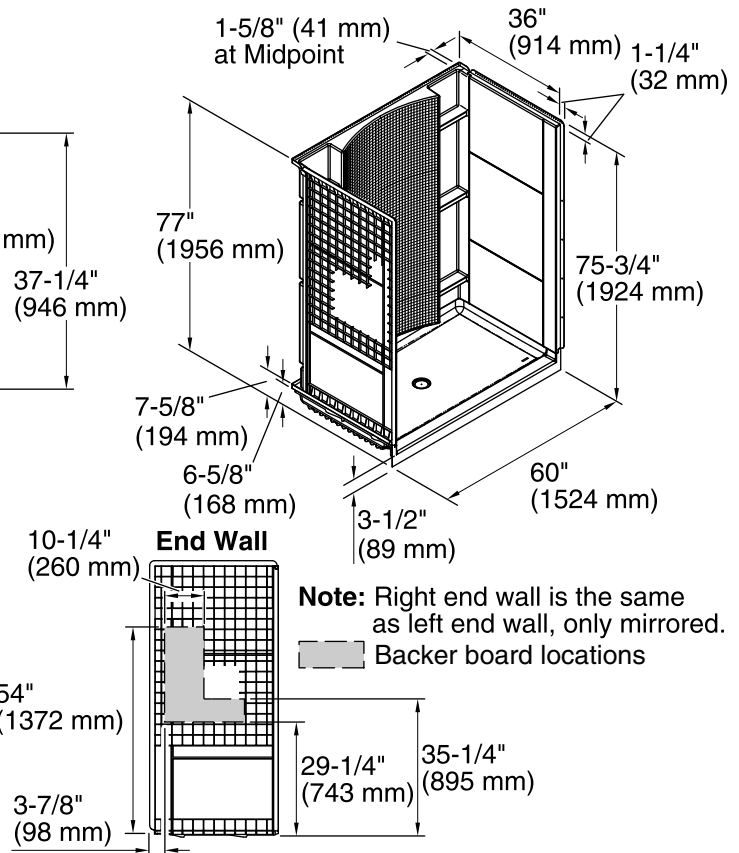
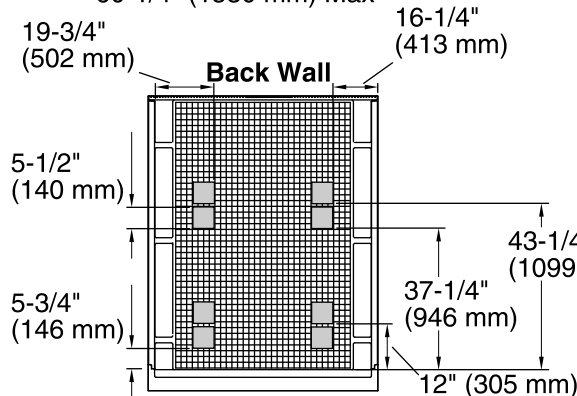
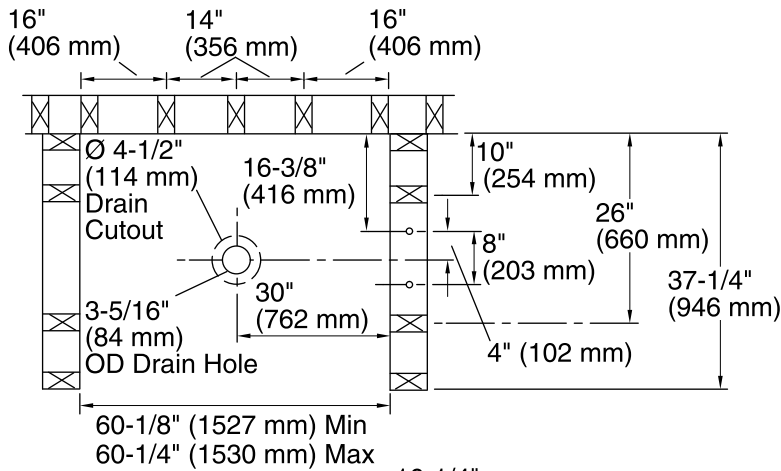
# STERLING®

A KOHLER COMPANY

## Accord®

### 60" Shower w/Backer Boards

### 72270106



### Technical Information

All product dimensions are nominal.

- Installation: 3-Wall Alcove
- Drain location: Center
- Drain hole diameter: 3-5/16" (84 mm)
- Minimum flat for door: 3-1/4" (83 mm)
- Threshold height: 3-1/2" (89 mm)
- Door height required: 72" (1829 mm)
- Door width required: 56-5/8" (1438 mm)

### Notes

- Install this product according to the installation instructions.
- Receptor cannot be installed without the wall surround.
- Attach grab bars at the specified backer board locations only.
- Studs should be positioned roughly as shown.
- Double studding is recommended for pivot shower door installations.

USA/Canada: 1-800-STERLING (1-800-783-7546)

Kohler Co. reserves the right to make revisions without notice to product specifications.

For the most current Specification Sheet, go to [www.sterlingplumbing.com](http://www.sterlingplumbing.com).

12-3-2017 04:06