



Features

- Customizable 8-shelf storage system.
- Holds up to 30 bottles.
- Easy to clean - removable accessories are dishwasher safe.
- Convenient molded-in shaving ledges.
- Modular design allows it to be moved around corners and through doorways with ease.
- Four-sided water containment with full-length threshold guard and weep channels for added protection.
- Low 3-inch profile for easy entry and exit.
- Durable high gloss finish.
- 60" (1524 mm) x 34" (864 mm) x 75 3/4" (1924 mm) shower finished dimensions.

Material

- Compression molded from our exclusive Vikrell® material.

Installation

- Caulk-free installation.
- Tongue-and-groove four-piece modular design allows for easy snap together installation.
- Sturdy accessories snap in place - No tools required.

Recommended Accessories

- 5375EZ-57 Frameless Sliding Shower Door
- 5475-59 Frameless Sliding Shower Door
- 5477-59 Frameless Sliding Shower Door
- 5970-59 Framed Sliding Shower Door
- 5975-59 Framed Sliding Shower Door
- 5976-59 Framed Sliding Shower Door
- 5977-59 Framed Sliding Shower Door
- 547808-59 Frameless Bypass Shower Door
- 572075-59 Framed Sliding Shower Door
- 581075-59 Frameless Sliding Shower Door
- 80001012 12" Grab Bar
- 80001018 18" Grab Bar
- 80001024 24" Grab Bar
- 72186104 Freestanding Seat

Components

- Product includes:
- 72332100 60" Shower Back Wall
 - 72331100 60" Shower Base
 - 72305100 34" Shower End Wall Set



Codes/Standards

- CSA B45.5/IAPMO Z124
- ASTM E162
- ASTM E662
- Greenguard UL 2818 - Gold
- HUD, UM Bulletin 73

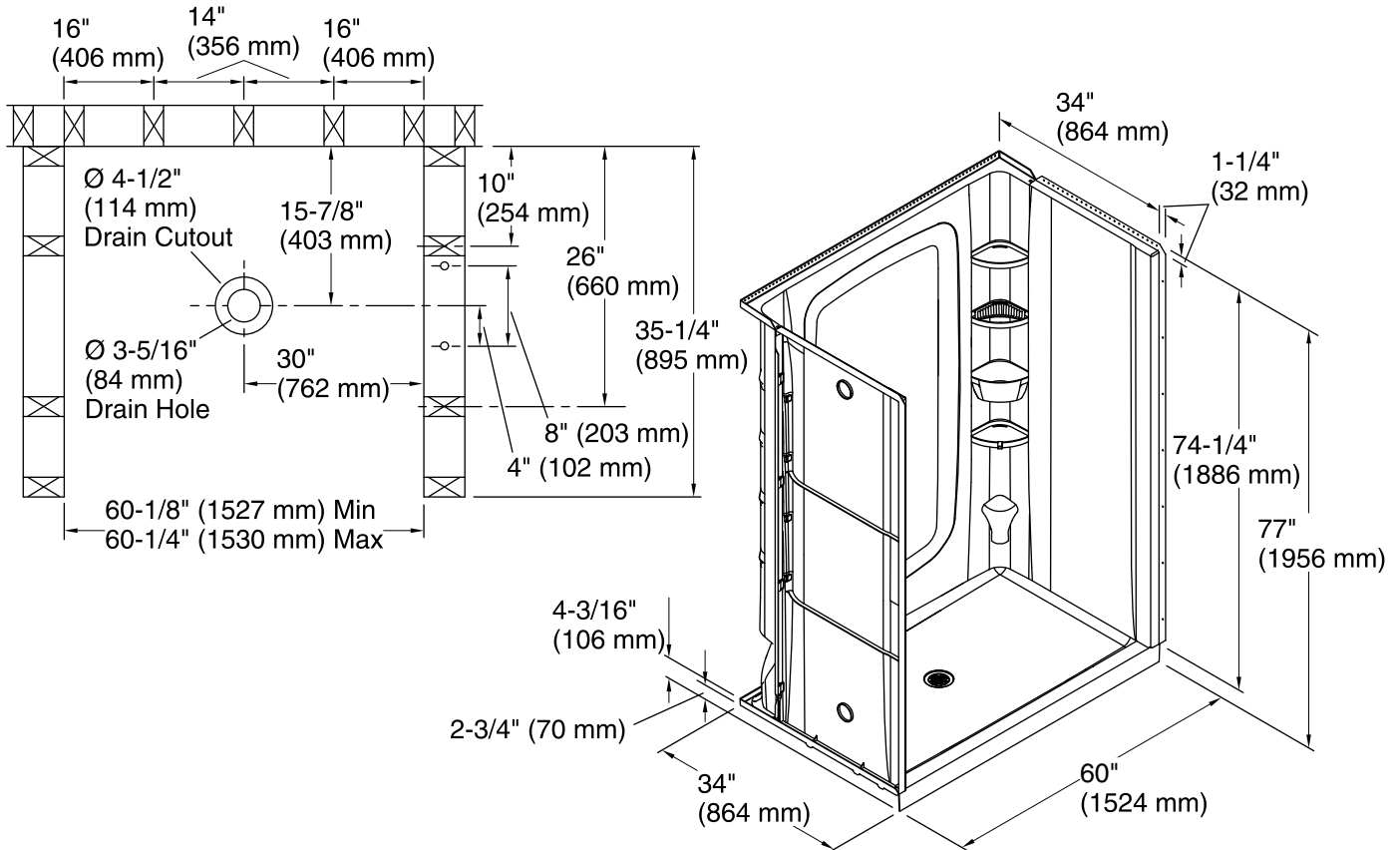
Warranty – Bathing Fixtures (and) Kitchen and Utility Sinks Made of Solid Vikrell® Material

See website for detailed warranty information.

Available Color/Finishes

Color tiles intended for reference only.

Color	Code	Description
	0	White
	96	KOHLER Biscuit



Technical Information

All product dimensions are nominal.

Installation:	3-Wall Alcove
Drain location:	Center
Drain hole diameter:	3-5/16" (84 mm)
Basin area, bottom:	29-3/16" x 56-3/4" (742 mm x 1441 mm)
Basin area, top:	29-3/16" x 56-3/4" (742 mm x 1441 mm)
Minimum flat for door:	2-1/2" (64 mm)
Threshold height:	3-1/8" (79 mm)
Door height required:	72-1/2" (1842 mm)
Door width required:	56-3/4" (1441 mm)

Notes

Install this product according to the installation instructions.

Studs should be positioned roughly as shown.

Double studding is recommended for pivot shower door installations.