



A KOHLER COMPANY

STORE+™

60" Shower with Backer Boards
72330106



Features

- Customizable 8-shelf storage system.
- Holds up to 30 bottles.
- Easy to clean - removable accessories are dishwasher safe.
- Convenient molded-in shaving ledges.
- Modular design allows it to be moved around corners and through doorways with ease.
- Four-sided water containment with full-length threshold guard and weep channels for added protection.
- Low 3-inch profile for easy entry and exit.
- Durable high gloss finish.
- 60" (1524 mm) x 34" (864 mm) x 77" (1957 mm) shower finished dimensions.

Material

- Compression molded from our exclusive Vikrell® material.

Installation

- Tongue-and-groove four-piece modular design allows for easy snap together installation.
- Sturdy accessories snap in place - No tools required.
- Wall surround includes backer boards for future grab bar installation.
- Compatible with Sterling GUARD+ shower bases.

Recommended Accessories

- 5375EZ-57 Frameless Sliding Shower Door
- 5475-59 Frameless Sliding Shower Door
- 5477-59 Frameless Sliding Shower Door
- 5970-59 Framed Sliding Shower Door
- 5975-59 Framed Sliding Shower Door
- 5976-59 Framed Sliding Shower Door
- 5977-59 Framed Sliding Shower Door
- 547808-59 Frameless Bypass Shower Door
- 572075-59 Framed Sliding Shower Door
- 581075-59 Frameless Sliding Shower Door
- 80001012 12" Grab Bar
- 80001018 18" Grab Bar
- 80001024 24" Grab Bar
- 72186104 Freestanding Seat



Codes/Standards

- CSA B45.5/IAPMO Z124
- ASTM E162
- ASTM E662
- Greenguard UL 2818 - Gold
- HUD, UM Bulletin 73
- CARB P2

Warranty – Bathing Fixtures (and) Kitchen and Utility Sinks Made of Solid Vikrell® Material

See website for detailed warranty information.

Available Color/Finishes

Color tiles intended for reference only.

Color	Code	Description
	0	White
	96	KOHLER Biscuit

USA/Canada: 1-800-STERLING (1-800-783-7546)

Kohler Co. reserves the right to make revisions without notice to product specifications.

For the most current Specification Sheet, go to www.sterlingplumbing.com.

12-3-2017 04:11

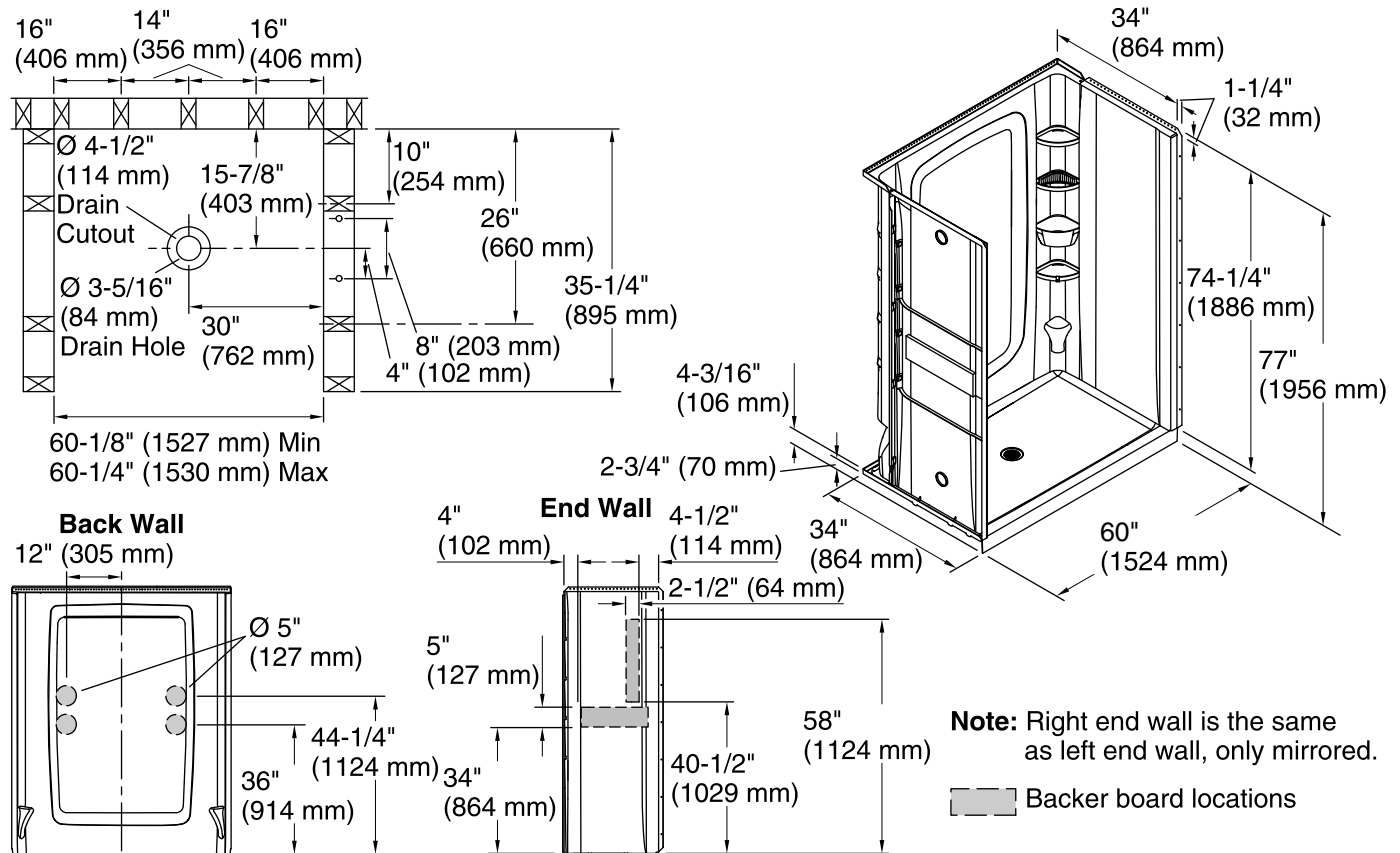
STERLING

A KOHLER COMPANY

STORE+™

60" Shower with Backer Boards

72330106



Technical Information

All product dimensions are nominal.

- Installation: 3-Wall Alcove
- Drain hole diameter: 3-5/16" (84 mm)
- Basin area, bottom: 29-3/16" x 56-3/4" (742 mm x 1441 mm)
- Basin area, top: 29-3/16" x 56-3/4" (742 mm x 1441 mm)
- Minimum flat for door: 2-1/2" (64 mm)
- Threshold height: 3-1/8" (79 mm)
- Door height required: 72-1/2" (1842 mm)
- Door width required: 56-3/4" (1441 mm)

Notes

- Install this product according to the installation instructions.
- Studs should be positioned roughly as shown.
- Double studding is recommended for pivot shower door installations.
- Attach grab bars at the specified backer board locations only.

USA/Canada: 1-800-STERLING (1-800-783-7546)

Kohler Co. reserves the right to make revisions without notice to product specifications.

For the most current Specification Sheet, go to www.sterlingplumbing.com.

12-3-2017 04:11