



**STORE+®**

60" shower

**72470110**



### Features

- Tongue-and-groove modular design allows for easy installation during any phase of construction.
- Includes four rimmed shelves, two bins, two shower hooks, and two soap dishes with towel bar.
- Dishwasher-safe shelves and bins snap into place; no tools required.
- Holds up to 30 bottles.
- Easy to clean, durable high-gloss finish.
- Shaving ledge/foot rest for added comfort.

### Material

- Made of solid Vikrell®.

### Installation

- Alcove.
- Caulk-free.
- Left drain.

### Included Components

Product consists of:

- 72475100 30" shower end wall set
- 72332100 60" Shower Back Wall
- 72171110 60" x 30" Shower Receptor

Additional Components:

- 10-piece Accessory Kit



### Codes/Standards

- CSA B45.5/IAPMO Z124
- ASTM E162
- ASTM E662
- Greenguard UL 2818 - Gold
- HUD, UM Bulletin 73



### Warranty – Bathing Fixtures (and) Kitchen and Utility Sinks Made of Solid Vikrell® Material

### STERLING® Warranty - Bathing & Showering Accessories

See website for detailed warranty information.

### Available Colors/Finishes

*Color tiles intended for reference only.*

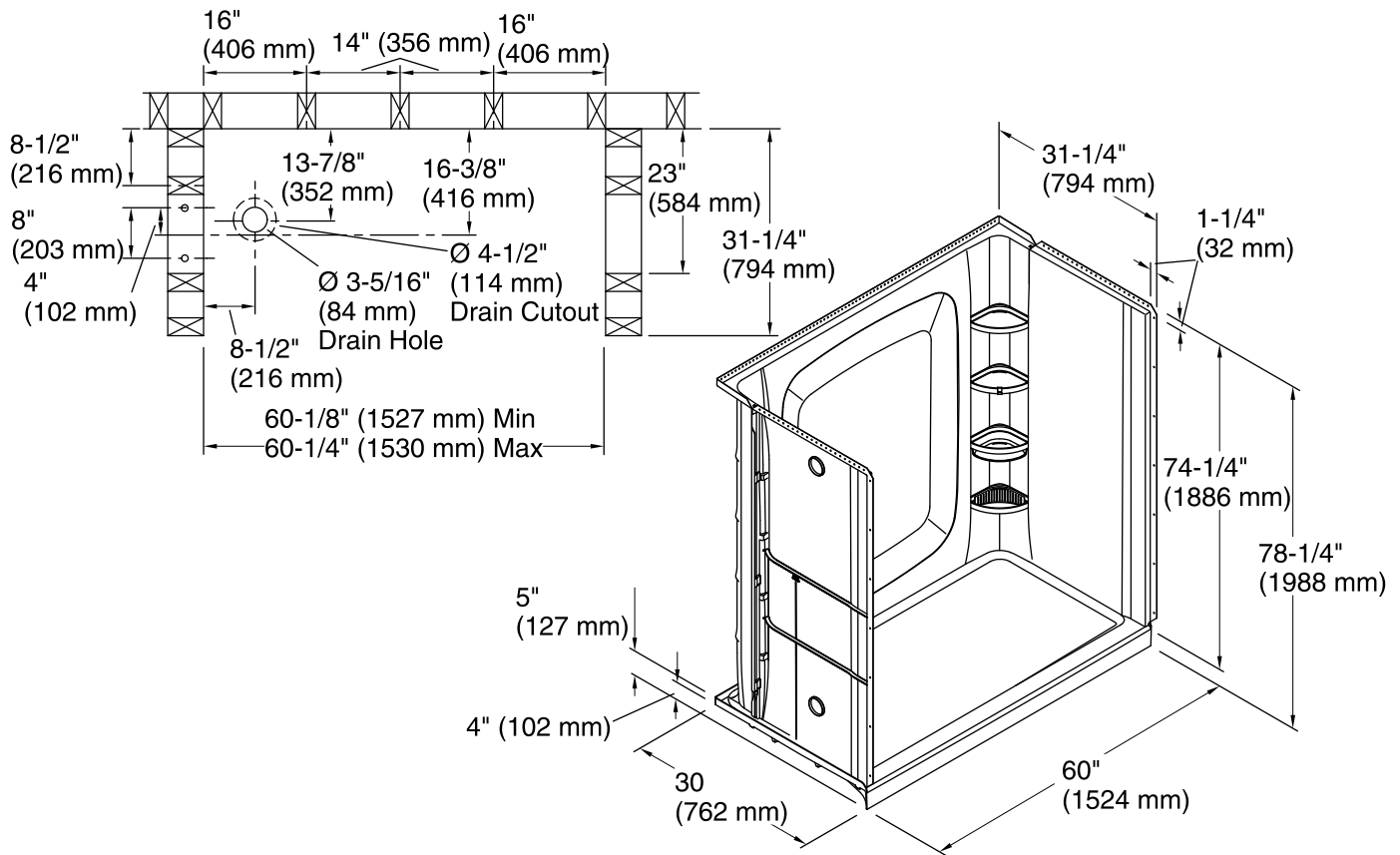
Color	Code	Description
	0	White
	96	KOHLER Biscuit

1-800-STERLING (1-800-783-7546)

Kohler Co. reserves the right to make revisions without notice to product specifications.

For the most current Specification Sheet, go to [www.sterlingplumbing.com](http://www.sterlingplumbing.com).

7-18-2019 04:01 - US



### Technical Information

All product dimensions are nominal.

Installation: Three-wall alcove  
 Drain location: Left  
 Drain hole diameter: 3-5/16" (84 mm)  
 Weight: 125.4 lbs (56.9 kg)  
 Minimum flat for door: 3" (76 mm)  
 Threshold height: 4" (102 mm)  
 Maximum door height: 73" (1854 mm)  
 Maximum door width: 56-5/8" (1438 mm)

### Notes

Install this product according to the installation instructions.  
 Studs should be positioned roughly as shown.  
 Double studing is recommended for pivot shower door installations.