



Stainless steel sink drain and strainer 7466

Features

- Fits all STERLING kitchen sinks with 2" – 2-1/4" (51 – 57 mm) drain holes.

Material

- Stainless steel construction.

Recommended Products/Accessories

- K-23726 Drain treatment
- K-23729 Stainless steel cleaner

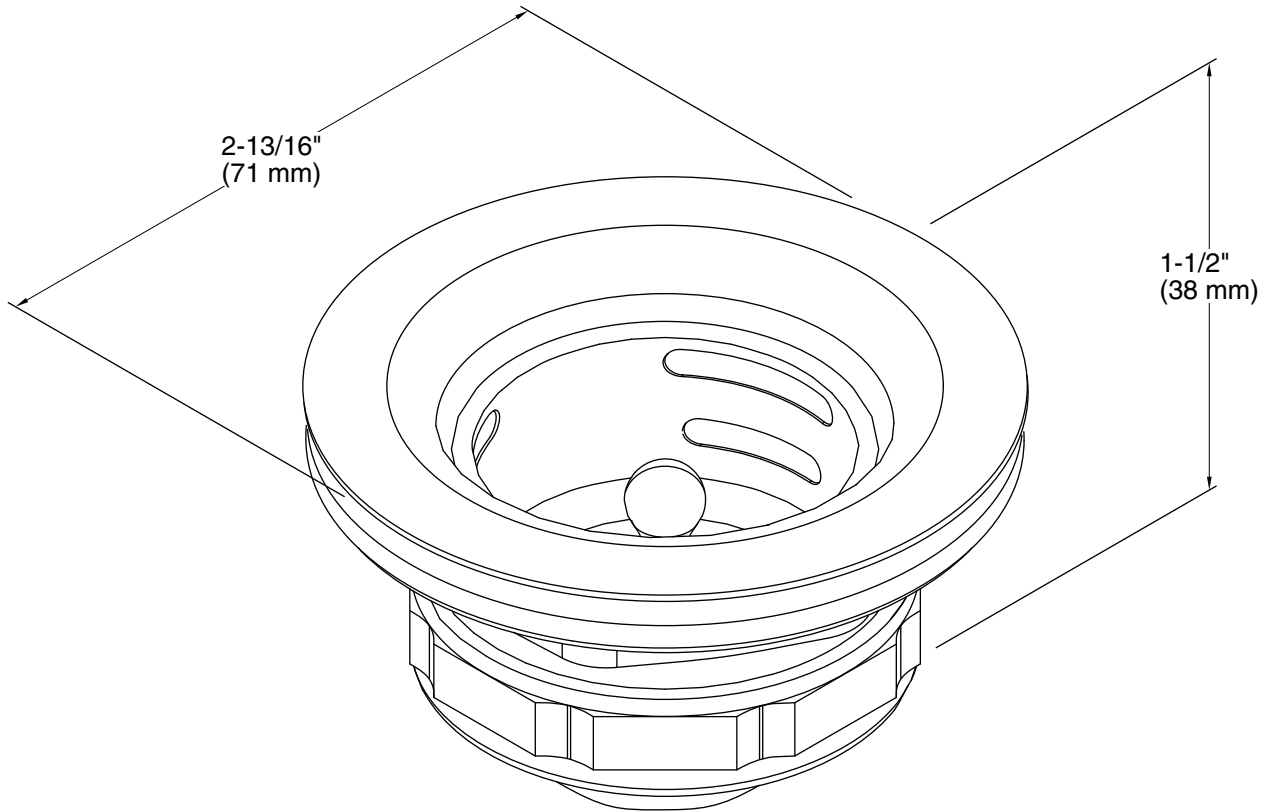


Codes/Standards

ASME A112.18.2/CSA B125.2

STERLING® One-Year Limited Warranty

See website for detailed warranty information.



Technical Information

All product dimensions are nominal.