



18" straight grab bar  
**8001018**

**Features**

- Installs from front of wall.
- Adjustable mounting brackets fit your specific installation requirements .
- Anodized aluminum.
- Elliptical shape makes the bar easier to grip .
- Available in finishes to coordinate with nickel and silver shower door finishes.

**Recommended Products/Accessories**

K-23723 Faucet cleaner

**Included Components**

Additional Components:  
Installation hardware



**Codes/Standards**

ASTM F446

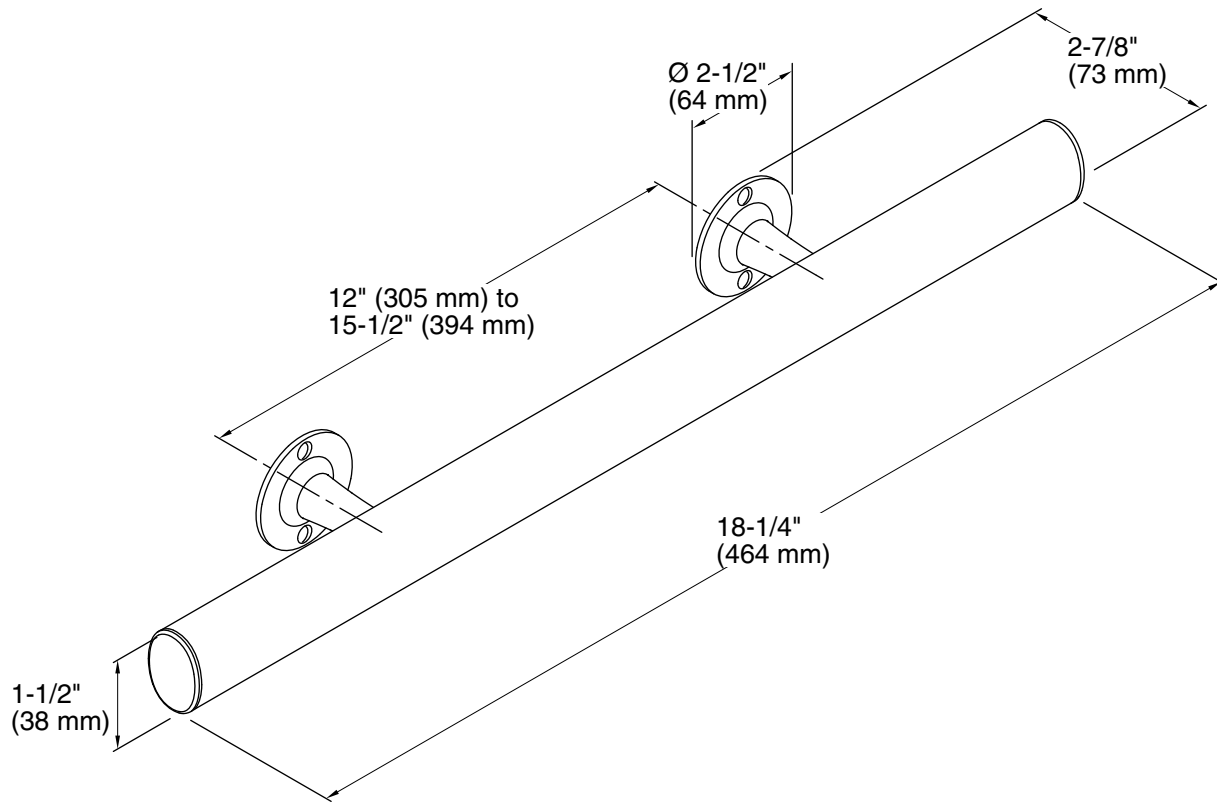
**STERLING® Warranty - Grab Bars**

See website for detailed warranty information.

**Available Colors/Finishes**

*Color tiles intended for reference only.*

Color	Code	Description
	N	Nickel
	V	Matte Silver



### Technical Information

All product dimensions are nominal.

Material: Anodized Aluminum

### Notes

Install this product according to the installation guide.

**WARNING:** Risk of personal injury. Unless properly installed, the grab bar may not adequately support the weight of the user.

Custom Walls – Fasten grab bar directly to studs when possible. If not possible, install a 1" x 6" blocking board to studs prior to installing wallboard and finished wall material.

Sterling Age-in-Place Surrounds – Obtain backer board locations from the specification sheet for your model to select the appropriate grab bar size.