



McAllister®
Under-mount Kitchen Sink
97447

Features

- SilentShield® sound-absorption technology offers quieter performance.
- 18-gauge stainless steel.
- Single compartment.
- Spacious 7-3/4" (197 mm) deep basin.
- Installation hardware included for each type of installation.
- 23-3/8" (594 mm) x 17-11/16" (449 mm) x 8" (203 mm).
- Wide under-mount lip.

Components

Additional included component/s: Mounting hardware.

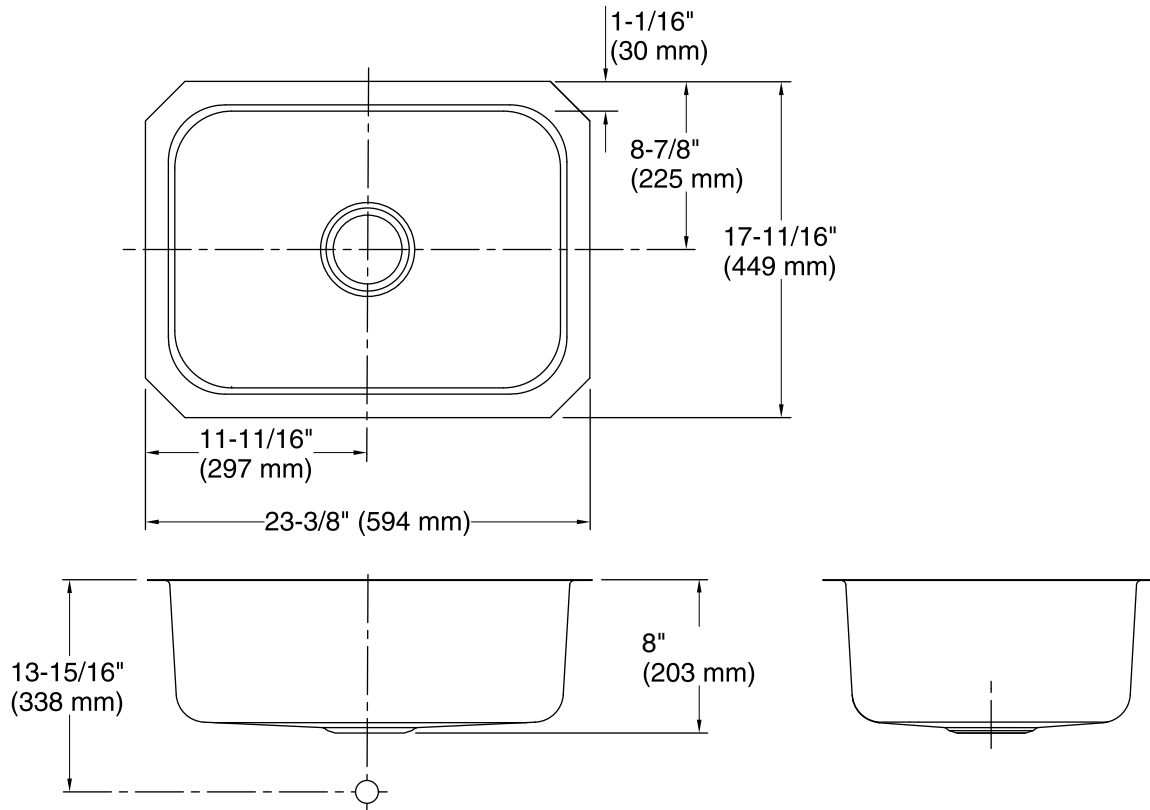


Codes/Standards

ASME A112.19.3/CSA B45.4
All applicable US Federal and State material regulations

STERLING® Warranty - Stainless Steel Sinks

See website for detailed warranty information.



Technical Information

All product dimensions are nominal.

- Bowl configuration: Single
- Installation: Under-mount
- Bowl area
 - Length: 21" (533 mm)
 - Width: 15-1/4" (387 mm)
 - Bowl depth: 7-3/4" (197 mm)
 - Water depth: 7-3/4" (197 mm)
- Drain hole: 3-5/8" (92 mm)
- Template: 1064257, required, included

Notes

Install this product according to the installation instructions.