



Underscore® Rectangle

5' Bath
K-1130



Features

- Molded lumbar support offers extra comfort while bathing.
- Slotted overflow allows for deep soaking.

Material

- Acrylic

Installation

- Drop-in or under-mount.

Required Accessories

K-7271 Brass Slotted Overflow Bath Drain

or

K-7272 PVC Slotted Overflow Bath Drain

Recommended Accessories

K-590 5' under-mount installation kit

K-24916 Wireless Music Kit

K-1601 Bath/Whirlpool Footstop

K-1177 Vinyl Tiling-in Bead



Codes/Standards

CSA B45.5/IAPMO Z124

ASTM E162

ASTM E662








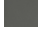
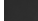
Greenguard UL 2818 - Gold

KOHLER® Plastic Baths and Receptors Lifetime Limited Warranty

See website for detailed warranty information.

Available Color/Finishes

Color tiles intended for reference only.

| Color | Code | Description |
|--|------|---------------|
|  | 0 | White |
|  | 96 | Biscuit |
|  | 47 | Almond |
|  | NY | Dune |
|  | 95 | Ice™ Grey |
|  | G9 | Sandbar |
|  | K4 | Cashmere |
|  | 58 | Thunder™ Grey |
|  | 7 | Black Black™ |

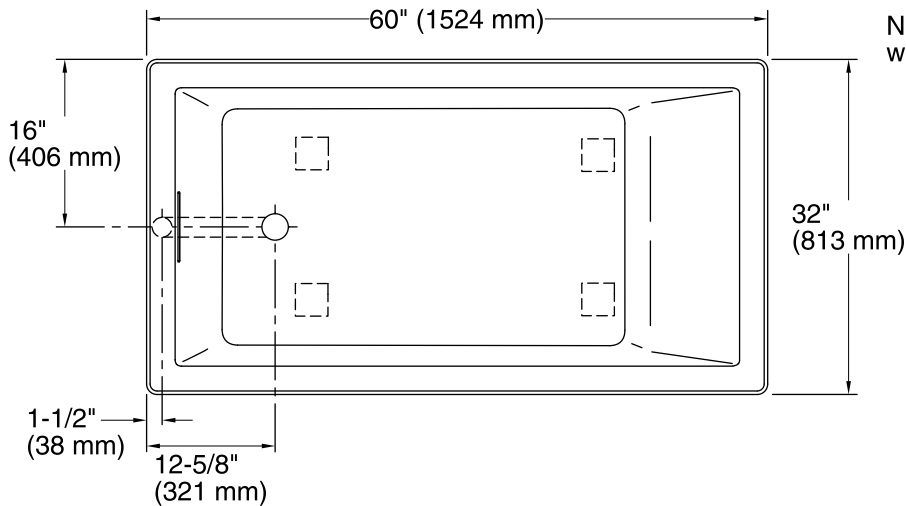
1-800-4KOHLER (1-800-456-4537)

Kohler Co. reserves the right to make revisions without notice to product specifications.

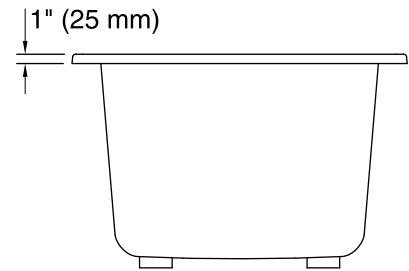
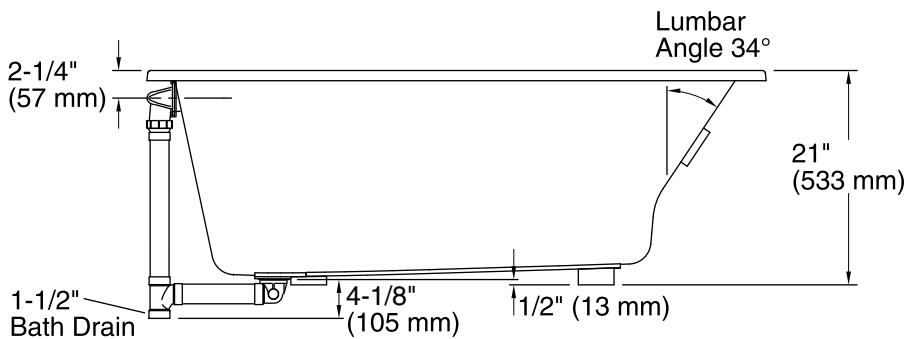
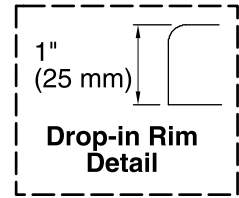
For the most current Specification Sheet, go to www.kohler.com.

12-4-2018 09:56 - US/CA

THE BOLD LOOK
OF **KOHLER**®



No change in measurements if connected with drain illustrated. (K-7272)



Technical Information

All product dimensions are nominal.

| | |
|------------------------|---|
| Installation: | Drop-in, Under-mount |
| Drain location: | End |
| Basin area, bottom: | 42" x 23-1/2" (1067 mm x 597 mm) |
| Basin area, top: | 55-1/8" x 27-1/8" (1400 mm x 689 mm) |
| Weight: | 75 lbs (34 kg) |
| Minimum floor load: | 58 lbs/ft ² (283.2 kg/m ²) |
| Water depth: | 17-1/8" (435 mm) |
| Water capacity: | 81 gal (306.6 L) |
| Cutout: | Drop-in, 59-1/2" x 31-1/2" (1511 mm x 800 mm) |
| Minimum flat for door: | 2-3/8" (60 mm) |

Notes

Measure your actual product for rough-in details. Install this product according to the installation instructions.

The hot water supply should be 70% of the capacity of the bath or greater. Installations will vary.

Kit is required for under-mount installations (sold separately).